

**SR**Smith®

# STARTING BLOCKS



Pool **Better**™

# Starting Blocks

## Win At the Start

Whether you are running an elite swimming program or teaching beginning competitive swimmers, S.R.Smith has a starting block for your facility. Our elite Velocity series comes in single and dual post models, both of which feature a FINA approved, adjustable track start wedge.

## Blocks for Everyone

Every aquatic facility has different requirements, which is why we've developed options to accommodate a variety of pool designs. Long reach platforms are ideal for pools with wide gutter configurations, or pools with a lot of electrical timing equipment on the deck. Side mount platforms are ideal for narrow bulkheads or decks where space is particularly limited. We also have low profile models that are well-suited to facilities that cater to new or young competitors.



RockSolid® Anchor

## RockSolid® Anchor

The secret to stability is our patented RockSolid® anchor. (U.S. Patent #8033077), an essential starting block component ensuring reliable, solid starts. Available for most S.R.Smith single or dual post models, this innovative, expandable wedge assembly exerts continuous, even pressure on platform posts to eliminate starting block movement or wobble.

## Show Your Colors

Our platforms are available in four standard powder-coated frame colors with custom frame colors available. Most footboards and steps come with white Sand Tread, with an option to upgrade with custom colors and logos. The new Velocity series is available with TrueTread™, an innovative footboard surface that provides a resilient, anti-slip footing. Many models are available with side or back mounting steps, with a long reach styles and a variety of backstroke start handle designs.



1. Angled Handle



3. U-Handle



2. Horizontal Handle

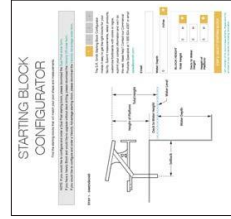


4. H-Handle

## Quoting and Specifying Made Easy

S.R.Smith engineering specifications, Revit, and AutoCAD files are simple to add to facility designs and bid proposals available online at [srsmith.com/specifcentral](http://srsmith.com/specifcentral).

Use our online Build-A-Block configurator to help you determine which S.R.Smith starting platform is right for your pool. This document can be given to your channel partner to aid them in producing a quote. Visit [srsmith.com/configurators](http://srsmith.com/configurators).



# Starting Blocks

## CONTENTS

- Overview .....2
- Starting Blocks .....4
- Accessories .....18

## S.R.Smith Starting Blocks At-A-Glance

S.R.Smith offers a wide range of starting block styles; many can be customized to a specific setback range, height and color.



FEATURES & PRODUCTS	VELOCITY SINGLE OR DUAL POST	VELOCITY ADVANTAGE	VELOCITY VR	LEGACY SERIES	LEGACY II
Track Start Wedge	●	●	●		
Single & Dual Post Models	●			●	
Customizable Setback & Height Ranges	●			●	
Side Handle Option	●			●	
Patented RockSolid® Anchor	●			●	●
Four Backstroke Handle Options	●			●	
SolidStart Grip	●			●	
Custom Tread Color	●			●	
TrueTread®	●			●	
Custom Logo	●			●	
Custom Frame Color	●			●	
Meets All Major Swimming Regulations	●			●	●

\*No custom logos on Velocity with TrueTread™

## Show Off Your Colors

Most of our platforms frames are available in four powder-coated colors. We also offer customization options for facilities that want to show off their team spirit with logos or custom colors on the footboard and frame. Velocity blocks also have the option of the unique TrueTread™ surface.

### STANDARD FRAME COLORS

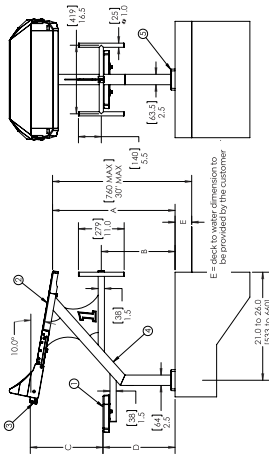


Block shown with custom color on frame with logo on footboard and back of trackstart wedge

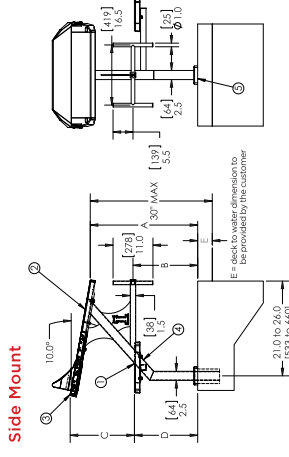
# Velocity Single Post Starting Blocks

The fiberglass footboard has outstanding strength as well as a sleek, uniform, hi-tech appearance. The powder-coated, stainless steel frame is secured to the pool deck with a patented RockSolid® anchor to eliminate platform movement.

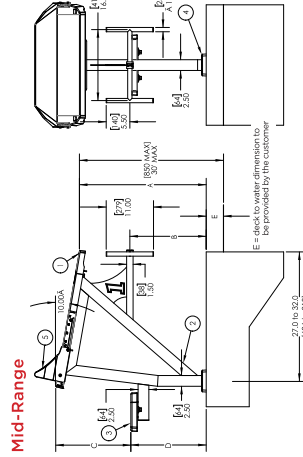
- Available with TrueTread® or Sand Tread
- Colorado & Daktronics timing systems compatible
- Track start wedge (5 positions) easily tucks under footboard
- Optional side handles (additional charge)
- Patented RockSolid® anchoring system (NOT INCLUDED)
- Retrofittable onto existing S.R.Smith Legacy frames
- Custom colors and logos available on Sand Tread footboards
- Meets FINA, NCAA, NFSA, USMS, USAS competition pool rules and guidelines



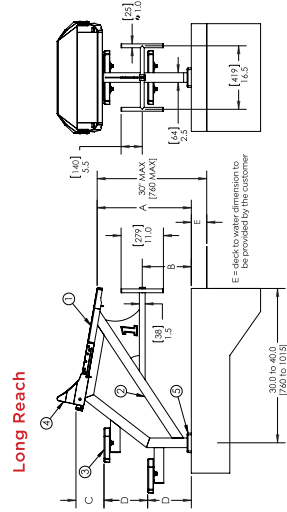
**Standard**



**Side Mount**



**Mid-Range**



**Long Reach**

VELOCITY SINGLE POST WITH TRACK START		VELOCITY SINGLE POST WITHOUT TRACK START	
Part #	Description	Part #	Description
<b>TrueTread Models</b>			
VELO-TS-TA	Standard Single Post	VELO-TA	Standard Single Post
VELOSM-TS-TA	Side Mount Single Post	VELOSM-TA	Side Mount Single Post
VELOMR-TS-TA	Mid-Range Single Post	VELOMR-TA	Mid-Range Single Post
VELOLR-TS-TA	Long Reach Single Post	VELOLR-TA	Long Reach Single Post
<b>Sand Tread Models</b>			
VELO-TS-SA	Standard Single Post	VELO-SA	Standard Single Post
VELOSM-TS-SA	Side Mount Single Post	VELOSM-SA	Side Mount Single Post
VELOMR-TS-SA	Mid-Range Single Post	VELOMR-SA	Mid-Range Single Post
VELOLR-TS-SA	Long Reach Single Post	VELOLR-SA	Long Reach Single Post

### Setback Ranges

Product	Setback Range	Footboard Dimensions
Velocity Standard & Side Mount	21" to 26"	28" x 32"
Velocity Mid-Range	27" to 32"	28" x 32"
Velocity Long Reach	33" to 40"	28" x 32"

\*Setback is to center of the anchor

### Components/Accessories

- 8-620TS-T TrueTread footboard & track start
- 8-620TS-S Sand Tread footboard & track start
- 8-620-T TrueTread footboard w/o track start
- 8-620-S Sand Tread footboard w/o track start
- 4-620TS-T TrueTread track start upgrade kit
- 4-620TS-S Sand Tread track start upgrade
- 4-175A Side Handles
- BLCVR-1317-WHT Safety Cover, white
- 27-107 RockSolid® Anchor
- 20-191 Safety Cap for Anchor

### Frame Colors



Due to printing technology, actual color may differ



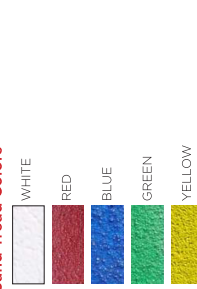
Can be ordered without the track start wedge, but can be added later.

### TrueTread® Colors

Provides a resilient, anti-slip footing



### Sand Tread Colors



Custom colors and logo available for an additional charge

For drawings & specifications please refer to [srsmith.com/specifiercentral](http://srsmith.com/specifiercentral)

# Velocity Dual Post Starting Blocks

Velocity dual post starting blocks are ideal for elite, competitive aquatic facilities.

- Fiberglass footboard has outstanding strength and sleek, hi-tech appearance.
- Frames made from commercial grade, 1.90" stainless steel, powder-coated for additional protection
- Track start wedge (5 positions) easily tucks under footboard
- Available with TrueTread® or Sand Tread
- Patented RockSolid® anchoring system available (NOT INCLUDED)
- Custom colors and logos available on Sand Tread footboards
- Optional side handles available
- Colorado & Daktronics timing systems compatible
- Meets FINA, USA Swimming, NCAA, NFSH and USMS competition pool rules and guidelines



Velocity Dual Post Standard



Velocity Dual Post Long Reach

Can be ordered without the track start wedge, but can be added later.

**TrueTread® Colors**  
Provides a resilient, anti-slip footing



### Sand Tread Colors



Custom colors and logo available for an additional charge

VELOCITY DUAL POST WITH TRACK START		VELOCITY DUAL POST WITHOUT TRACK START	
Part #	Description	Part #	Description
<b>TrueTread Models</b>			
VELO-DP-TS-TA	Standard Dual Post	VELO-DP-TA	Standard Dual Post
VELOLR-DP-TS-TA	Long Reach Dual Post	VELOLR-DP-TA	Long Reach Dual Post
<b>Sand Tread Models</b>			
VELO-DP-TS-SA	Standard Dual Post	VELO-DP-SA	Standard Dual Post
VELOLR-DP-TS-SA	Long Reach Dual Post	VELOLR-DP-SA	Long Reach Dual Post

\* RockSolid Anchor required with Long Reach models  
• Various esutcheon styles available

### Setback Ranges

Product	Setback Range	Footboard Dimensions
Velocity Dual Post, Standard	18" to 26"	28" x 32"
Velocity Dual Post, Long Reach	27" to 36"	28" x 32"

\*Setback is to center of the anchor

### Accessories

- 8-620TS-T TrueTread footboard & track start
- 8-620TS-S Sand Tread footboard & track start
- 8-620-T TrueTread footboard w/o track start
- 8-620-S Sand Tread footboard w/o track start
- 4-620TS-T TrueTread track start upgrade kit
- 4-620TS-S Sand Tread track start upgrade

• 4-175A Side Handles

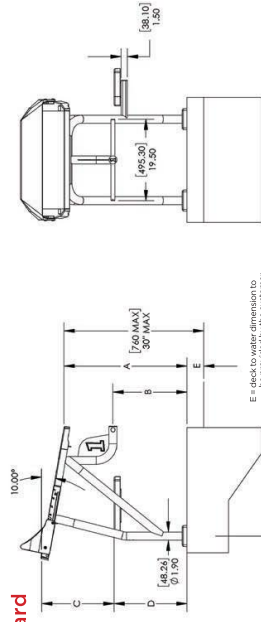
- BLCVR-1317-WHT Safety Cover, white
- 27-107 RockSolid® Anchor
- 20-191 Safety Cap for Anchor

### Frame Colors

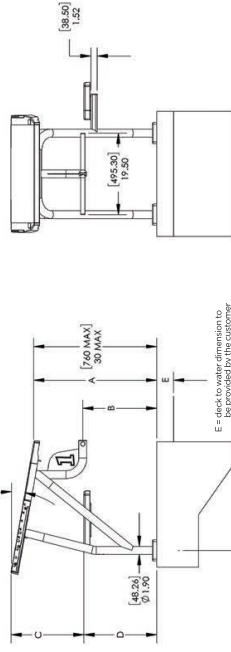


Due to printing technology actual color may differ

### Standard

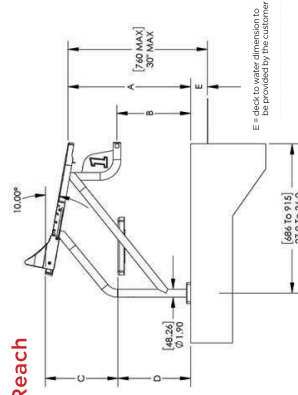


E = check to make dimensions to be provided by the customer

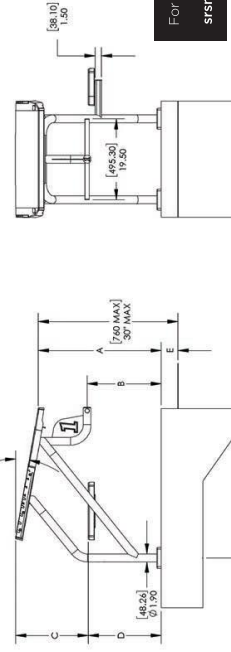


E = check to make dimensions to be provided by the customer

### Long Reach



E = check to make dimensions to be provided by the customer



E = check to make dimensions to be provided by the customer

For drawings & specifications please refer to [srsmith.com/specifiercentral](http://srsmith.com/specifiercentral)

# Velocity Advantage Starting Block

Velocity Advantage starting blocks feature strong fiberglass footboards with track start wedge on an HDPE composite base, particularly suitable for bulkheads.

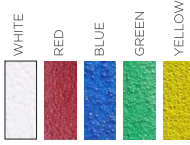
- The marine grade HDPE composite base easily mounts to pool decks or bulkheads with minimal drilling
- 16" (41cm) height makes it well suited for bulkheads and end walls with 8" to 13.5" (20cm-42cm) deck to water heights
- The 28" x 32" (71cm x 81cm) footboard surface is available with TrueTread® or Sand Tread
- Track start wedge, adjustable to 5 positions, easily tucks under the footboard
- Patent pending integral backstroke start ledge is adjustable to five positions in accordance with FINA standards
- Three built in backstroke handholds - two center positions and one on each side
- Colorado & Daktronics timing system compatible
- Custom colors and logos available on Sand Tread footboards
- Meets FINA, NCAA, NFHS, USMS and USAS competition pool rules and regulations
- \*NFHS rules do not allow use of backstroke ledge



**TrueTread® Colors**  
Provides a resilient, anti-slip footing



**Sand Tread Colors**



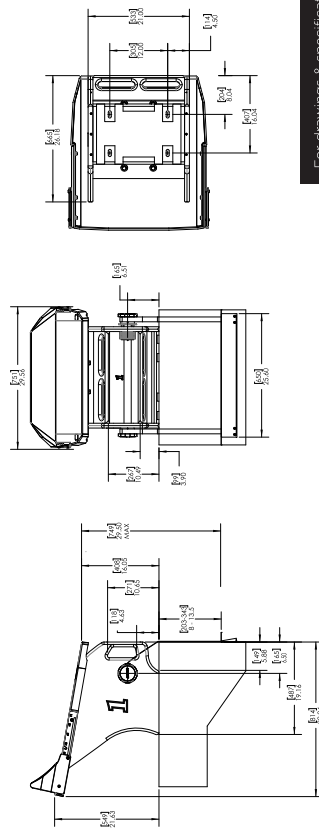
Custom colors and logo available for an additional charge

Part #	Description	Weight	Length	Width	Height
VELO-ADV-BKT	Velocity Advantage with TrueTread®	117lbs 53kg	37" 94cm	34" 86cm	28" 71cm
VELO-ADV-BKS	Velocity Advantage with Sand Tread	117lbs 53kg	37" 94cm	34" 86cm	28" 71cm

**SHIPPING (CLASS 150)**

**Accessories**

- BLCVR-1317-WHT Pyramid-Shaped Safety Cover
- BLCVR VELO-WHT Full Surface Safety Cover
- BLCVR VELO-WHT-L Full Surface Safety Cover w/ Lock
- 27-111 Anchoring Kit (sold separately)



For drawings & specifications please refer to [srsmith.com/specifiercentral](http://srsmith.com/specifiercentral)



# Velocity VR (Varsity Retrofit) Starting Block

Velocity VR starting blocks are designed to replace existing S.R.Smith Varsity blocks, by fitting into the current deck anchors. No drilling is required. Velocity VR blocks provide an easy upgrade to elite, competitive starting blocks.

- Fiberglass footboard has outstanding strength and sleek, hi-tech appearance
- Frames made from commercial grade, 190" stainless steel, powder-coated for additional protection
- Track Start wedge (5 positions) easily tucks under footboard
- Available with TrueTread® or Sand Tread
- Available with left or right side step
- Four backstroke handle options
- Custom colors and logos available on Sand Tread footboards
- Colorado & Daktronics timing systems compatible
- Meets FINA, USA Swimming, NCAA, NFSH and USMS competition pool rules and guidelines

Part #	Description
with Track Start	
VELO-VR-TS-TA	TrueTread™
VELO-VR-TS-SA	Sand Tread
without Track Start	
VELO-VR-TA	TrueTread™
VELO-VR-SA	Sand Tread

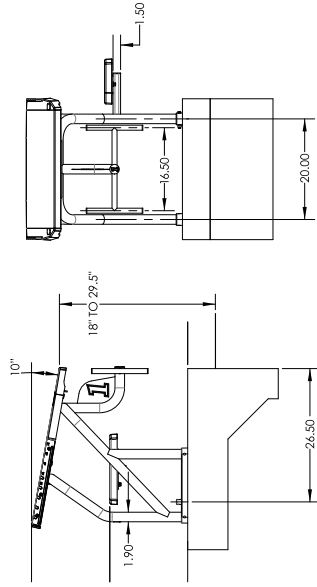
### Setback Ranges

Product	Setback*	Footboard Dimensions
Velocity VR Starting Block	26.5"	28" x 32"

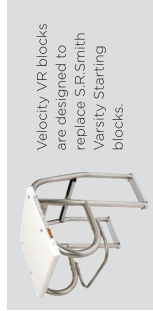
\*Setback is to center of the anchor

### Accessories

- 4-620TS-T TrueTread track start upgrade kit
- 4-175A Side Handles
- BLCVR-187-WHT Pyramid-Shaped Safety Cover
- BLCVR VELO-WHT Full Surface Safety Cover
- BLCVR VELO-WHT-L Full Surface Safety Cover w/ Lock



Can be ordered without the track start wedge, which can be added later.



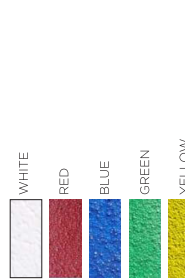
Velocity VR blocks are designed to replace S.R.Smith Varsity Starting blocks.

### TrueTread® Colors

Provides a resilient, anti-slip footing

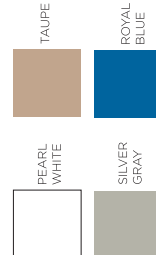


### Sand Tread Colors



Custom colors and logo available for an additional charge

### Frame Colors



Due to printing technology actual color may differ

### STARTING BLOCKS



S.R.Smith Varsity starting blocks have been the standard for decades at competitive swimming pools. Now, facilities can graduate to the Velocity VR. Designed to make upgrades easy and affordable, the Velocity VR does not require any deck drilling. Upgrades are as easy as 1, 2, 3!



### 1 - REMOVE

- Unscrew existing bolts from the deck
- Remove block and clean the anchors



### 2 - MEASURE

- Install Threaded Center Punches
- Align Velocity VR to the pool wall



### 3 - REPLACE

- Drill a pilot hole in the anchor plate
- Secure Velocity VR with provided anchor bolts

Learn more at [srsmith.com/StartwithVelocity](http://srsmith.com/StartwithVelocity)

# Legacy Single Post Starting Blocks



Legacy Standard



Legacy Long Reach



Legacy Side Mount

- The Legacy single-post models are ideal for highly competitive swimming facilities. The powder-coated, stainless steel frame is secured to the pool deck with a patented RockSolid® anchor to eliminate platform movement.
- High-impact footboards with laminated cores reinforced with fiberglass in a gelcoat skin with a non-slip tread
- The 2.5" square, 304 stainless steel tubing is powder-coated for added corrosion resistance
- Choose from 4 different backstroke handle designs
- Patented RockSolid® anchoring system (NOT INCLUDED)
- Meets FINA, NCAA, NFSA, USMS, USAS competition pool rules and regulations
- New SolidStart Edge for enhanced hand grip is standard

Part #	Description
LEGACY-SP-9999	Legacy
LGCVLI-SP-9999	Legacy Mid-Range
LGCVL-2-SP-9999	Legacy Long Reach
LSM-9999A	Legacy Side Mount

Number of steps (1 or 2) will vary depending on setback and height of starting platform.  
Can be customized with team logos and colors for an additional charge. Call for quote.

### Setback Ranges

Product	Setback* Range	Footboard Dimensions
Legacy Standard & Side Mount	21" to 26"	24" x 32"
Legacy Mid-Range	27" to 32"	24" x 32"
Legacy Long Reach	33" to 40"	24" x 32"

\*Setback is to center of the anchor

### Sand Tread Colors



Custom colors and logo available for an additional charge

### Accessories

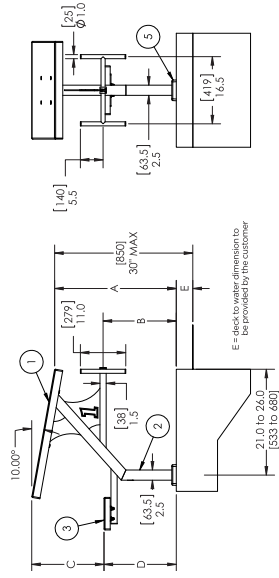
- 8-623B Replacement Footboard (24" x 32")
- 27-107 RockSolid Anchor
- 20-191 Safety Cap for Anchor
- 4-170A Side Handles
- BLCVR-1317-WHT Safety cover, white

### Frame Colors



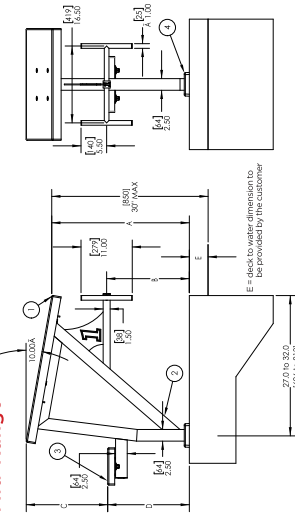
Due to printing technology actual color may differ

### Standard



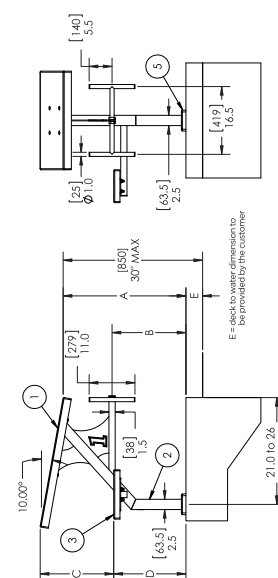
E = deck to water dimension to be provided by the customer

### Mid-Range



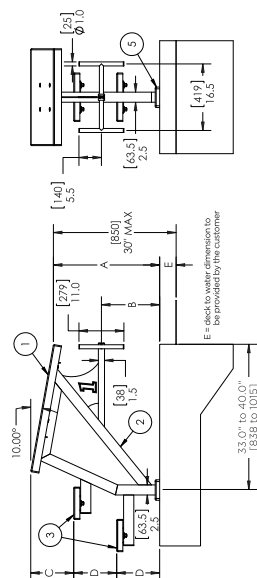
E = deck to water dimension to be provided by the customer

### Side Mount



E = deck to water dimension to be provided by the customer

### Long Reach



E = deck to water dimension to be provided by the customer

For drawings & specifications please refer to [srsmith.com/specifiercentral](http://srsmith.com/specifiercentral)

# Legacy Dual Post Starting Blocks

The Legacy dual post models are ideal for competitive swimming facilities.

- High-impact footboards with laminated cores reinforced with fiberglass in a gelcoat skin with a non-slip tread
- Frames made from commercial grade, 1.90" stainless steel, powder-coated for additional protection
- Patented RockSolid® anchoring system (NOT INCLUDED)
- SolidStart Edge for enhanced hand grip is standard
- Optional side handles available
- Choose from 4 different backstroke handle designs
- Meets FINA, USA Swimming, NCAA, NFSH and USMS competition pool rules and guidelines



Legacy Dual Post Standard



Legacy Dual Post Long Reach

Part #	Description
LEGACY-DP-SP-9999A	Legacy Dual Post
LEGYL2-DP-SP-9999A	Legacy Dual Post Long Reach

RockSolid Anchor required with Long Reach models  
Various escutcheon styles available  
Can be customized with team logos and colors for an additional charge. Call for quote.

Product	Setback* Range	Footboard Dimensions
Legacy Standard	18" to 26"	24" x 32"
Legacy Long Reach	27" to 36"	24" x 32"

\*Setback is to center of the anchor

### Sand Tread Colors



Custom colors and logo available for an additional charge

### Frame Colors



Due to printing technology actual color may differ

### Accessories

- 8-623B Replacement Footboard
- 27-108 RockSolid Anchor
- 27-105 Standard Dual Post Anchor
- 4-170A-DP Side Handles
- BLCVR-1317-WHT Safety cover, white

# Legacy II Starting Blocks

The Legacy II is an economical choice for recreational swimming facilities.

- Footboard has a sanded tread for safety
- The 1.90" .145" wall 304 stainless steel tubing is electropolished for added corrosion resistance
- Use with the dual post anchor assembly for easy installation
- Meets FINA, NCAA, NFSHSA, USMS, USAS and competition pool rules and regulations

Part #	Description
LEGACY II	Legacy II with anchor

Add A to the end of the part number to order without an anchor

### Setback Ranges

Product	Setback* Range	Height Off Deck	Footboard Dimensions
Legacy II	18"	17" to 29.5"	24" x 20"

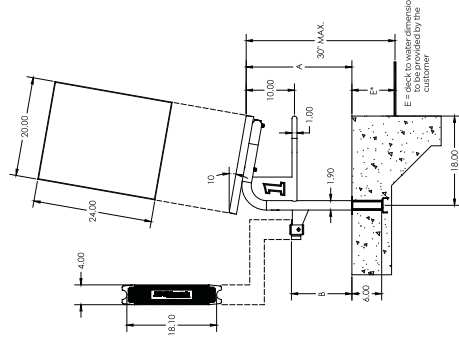
Setback is to center of the anchor

Height from deck edge to top front edge of the platform

### Accessories

- 27-105 Dual Post Anchor (standard)
- 27-108 RockSolid Dual Post Anchor
- 8-616B Footboard (24"x20")

A	B	C	D	E	F	G	H	I	J	K	L	M	N	O	P	Q	R	S	T	U	V	W	X	Y	Z																																																																																																																																																																																																																																																																																																																																																			
18.0	18.5	19.0	19.5	20.0	20.5	21.0	21.5	22.0	22.5	23.0	23.5	24.0	24.5	25.0	25.5	26.0	26.5	27.0	27.5	28.0	28.5	29.0	29.5	30.0	30.5	31.0	31.5	32.0	32.5	33.0	33.5	34.0	34.5	35.0	35.5	36.0	36.5	37.0	37.5	38.0	38.5	39.0	39.5	40.0	40.5	41.0	41.5	42.0	42.5	43.0	43.5	44.0	44.5	45.0	45.5	46.0	46.5	47.0	47.5	48.0	48.5	49.0	49.5	50.0	50.5	51.0	51.5	52.0	52.5	53.0	53.5	54.0	54.5	55.0	55.5	56.0	56.5	57.0	57.5	58.0	58.5	59.0	59.5	60.0	60.5	61.0	61.5	62.0	62.5	63.0	63.5	64.0	64.5	65.0	65.5	66.0	66.5	67.0	67.5	68.0	68.5	69.0	69.5	70.0	70.5	71.0	71.5	72.0	72.5	73.0	73.5	74.0	74.5	75.0	75.5	76.0	76.5	77.0	77.5	78.0	78.5	79.0	79.5	80.0	80.5	81.0	81.5	82.0	82.5	83.0	83.5	84.0	84.5	85.0	85.5	86.0	86.5	87.0	87.5	88.0	88.5	89.0	89.5	90.0	90.5	91.0	91.5	92.0	92.5	93.0	93.5	94.0	94.5	95.0	95.5	96.0	96.5	97.0	97.5	98.0	98.5	99.0	99.5	100.0	100.5	101.0	101.5	102.0	102.5	103.0	103.5	104.0	104.5	105.0	105.5	106.0	106.5	107.0	107.5	108.0	108.5	109.0	109.5	110.0	110.5	111.0	111.5	112.0	112.5	113.0	113.5	114.0	114.5	115.0	115.5	116.0	116.5	117.0	117.5	118.0	118.5	119.0	119.5	120.0	120.5	121.0	121.5	122.0	122.5	123.0	123.5	124.0	124.5	125.0	125.5	126.0	126.5	127.0	127.5	128.0	128.5	129.0	129.5	130.0	130.5	131.0	131.5	132.0	132.5	133.0	133.5	134.0	134.5	135.0	135.5	136.0	136.5	137.0	137.5	138.0	138.5	139.0	139.5	140.0	140.5	141.0	141.5	142.0	142.5	143.0	143.5	144.0	144.5	145.0	145.5	146.0	146.5	147.0	147.5	148.0	148.5	149.0	149.5	150.0	150.5	151.0	151.5	152.0	152.5	153.0	153.5	154.0	154.5	155.0	155.5	156.0	156.5	157.0	157.5	158.0	158.5	159.0	159.5	160.0	160.5	161.0	161.5	162.0	162.5	163.0	163.5	164.0	164.5	165.0	165.5	166.0	166.5	167.0	167.5	168.0	168.5	169.0	169.5	170.0	170.5	171.0	171.5	172.0	172.5	173.0	173.5	174.0	174.5	175.0	175.5	176.0	176.5	177.0	177.5	178.0	178.5	179.0	179.5	180.0	180.5	181.0	181.5	182.0	182.5	183.0	183.5	184.0	184.5	185.0	185.5	186.0	186.5	187.0	187.5	188.0	188.5	189.0	189.5	190.0	190.5	191.0	191.5	192.0	192.5	193.0	193.5	194.0	194.5	195.0	195.5	196.0	196.5	197.0	197.5	198.0	198.5	199.0	199.5	200.0

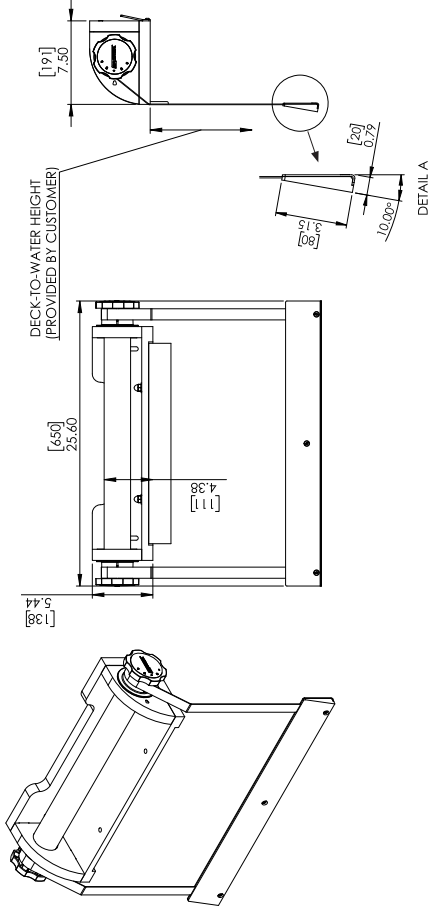




# Backstroke Start System & Trainer

Designed to help make backstroke starts faster and reduce the chance for slipping, the Backstroke Start System provides the option to easily add this capability to virtually any pool deck or starting platform configuration.

## BACKSTROKE START SYSTEM BASE UNIT



Backstroke Start System  
PART # BSS1000

### FINA FR 2.10 Backstroke Ledge Requirements

- The ledge may be adjustable to 4cm above or 4cm below the water level
- The ledge is a minimum of 65cm in length
- The ledge must be 8cm in height, 2cm at the width with 10 degrees of slope

### Backstroke Start System

- Anti-slip backstroke ledge with raised diamond pattern
- Easily adjustable ledge height with one-handed operation from in or out of pool
- Durable HDPE frame to protect from harsh elements at either indoor or outdoor locations
- Three unique mounting options to secure device to most deck and block configurations
- Clear markings on spool to show height of ledge to water level for compliance
- FINA 2.10 compliant for competition

## 3 MOUNTING OPTIONS

### In-Deck Anchoring Kit



PART # 13-600

Plastic anchor with grounding bolt, fastened with plastic-headed stainless steel thumb screws

### Pool Wall Mounting Kit with Strap



PART # 13-601

Vinyl-coated 1/2" thick stainless steel bracket with 10 foot long polyester strap and stainless steel cam buckle

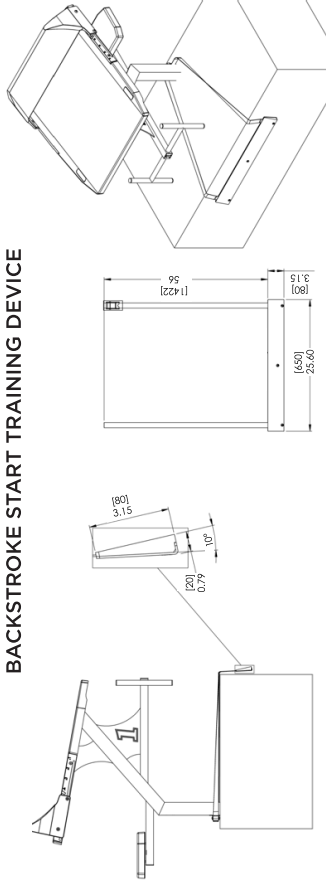
### Platform Post Mounting Kit



PART # 13-603

Vinyl-coated 1/2" thick stainless steel plate and two brackets shaped to lock onto 2 inch square single post frames

## BACKSTROKE START TRAINING DEVICE



### Shipping (Class 300)

Model No.	Description	Weight	Length	Width	Height
03-650T	Backstroke Start Training Device	3 lbs 1.4kg	2.5" 63mm	3.5" 89mm	34.5" 876mm
BSS1000	Backstroke Start System	25 lbs 11kg	8" 203mm	8" 203mm	26" 660mm
13-600	In-Deck Anchoring Kit	5 lbs 2.3kg	6" 152mm	2" 51mm	2" 51mm
13-601	Pool Wall Mounting Kit w/ Strap	7 lbs 3.2kg	18" 457mm	4" 102mm	2" 51mm
13-603	Platform Post Mounting Kit	10 lbs 4.6kg	18" 457mm	12" 305mm	2" 51mm

### Backstroke Start Training Device

- Anti-slip backstroke ledge with raised diamond pattern
- Two 5-foot polyester straps with stainless steel cam buckle to secure and adjust height
- Works with a wide variety of starting blocks



PART # 03-650T

# Accessories



- Velocity with Track Start Wedge Safety Cover**
- Acrylic safety cover prevents unwanted jumping or diving
  - Optional keyed cable lock
  - Not for use with Velocity Starting Blocks with side handles - use Domed Acrylic Safety Cover (Item #BLCVR-1317-WHT)

Part #	Description
BLCVR-VELO-WHT	Velocity Starting Block Cover
BLCVR-VELO-WHT-L	Velocity Starting Block Cover with Lock

## Domed Acrylic Safety Cover

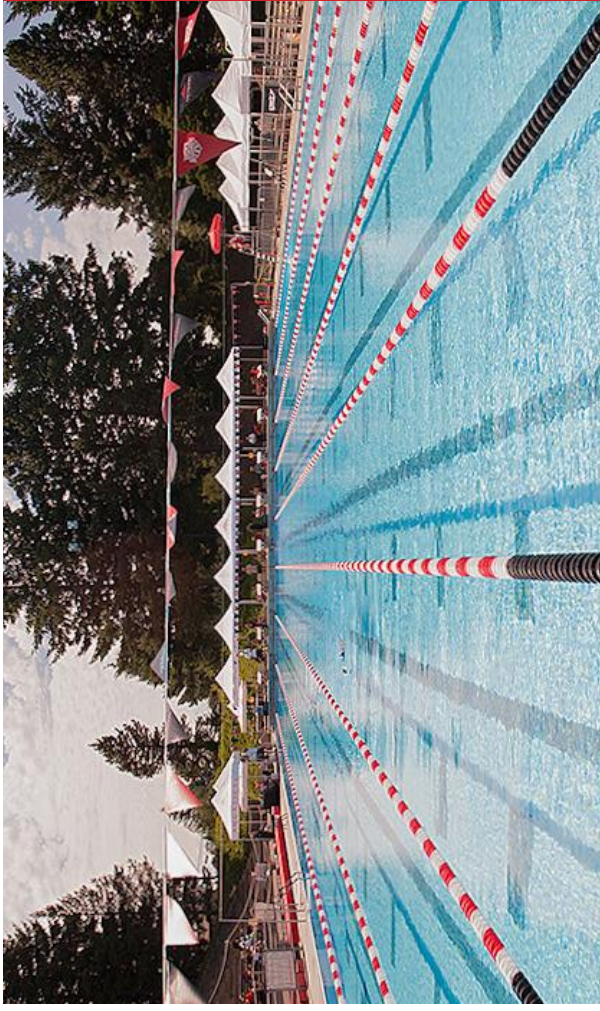
Starting block safety cover prevents unwanted diving or jumping.

Part #	Description
BLCVR-1317-WHT	Starting Block Safety Cover

## Side Handles

Offers an additional starting technique option for advanced swimmers. Can be added to Velocity and Legacy Starting Blocks.

Part #	Description
4-175A	Velocity Single Post Side Handles
4-175A	Velocity Dual Post Side Handles
4-170A	Legacy Single Post Side Handles
4-170A-DP	Legacy Dual Post Side Handles



RockSolid Single Post Anchor



RockSolid Dual Post Anchor

RockSolid Anchor Safe-T-Cap (optional)



Utilizes same wedge bolt to tighten and secure in place, and sits flush to deck

## RockSolid® Anchor

The anchor securely "hugs" the frame and can be tightened with minimal effort.

- Heavy duty welded 304 stainless steel construction
- Fully adjustable wedge assembly will expand and exert continuous, even pressure on the platform post to prevent starting platform movement
- Standard or optional Safe-T-Cap anchor cap can be used when starting platform is removed
- Anchor cap removal tool included
- Grounding lug

Part #	Description
27-107	RockSolid® Anchor and Cap
27-107-13	13"/33cm RockSolid® Anchor for Bulkheads
27-107-14	14"/37cm RockSolid® Anchor for Bulkheads
27-108	RockSolid® Dual Post Anchor
27-108P	RockSolid® Anchor for Pavers
27-1089	Anchor Set Tool
20-191	Safe-T-Cap Anchor Cap
20-241 + 20-240	Wedge Assembly
4-113-1	Standard Anchor Cap
5-215-1	Allen Wrench



Pool Better™

**SR**Smith®

800.824.4387  
srsmith.com

No part of this may be copied or reproduced without the expressed written consent of S.R.Smith, LLC

©Copyright 2021 S.R.Smith, LLC. All rights reserved. | M-E-BRO-170 5M 0821