

Fireplace Inserts

SimpliFire[®]
Fire Made Simple

Electric

Easily transform a dated fireplace.

There has never been a more economical way to transform your drafty, dated fireplace into an efficient and attractive source of warmth. Or, to add a new, captivating fireplace in any room.



Enjoy easy control with the intuitive remote while accent lighting, beautiful logs and adjustable flames enhance the allure. Best of all, turn on the ambiance with or without the heat for year-round use.

Before



After



30" fireplace insert shown with standard front and small three-sided surround

Features

- Install into a wood fireplace opening with a surround kit or any framed opening with the self-trimming design
- Operate at just pennies an hour with adjustable heat
- Enjoy year-round with or without heat
- Relax in the ambiance of accent lighting
- Low maintenance and energy efficient thanks to LED technology
- Easy control with the intuitive, multifunction remote
- Zone-heat your space with warmth where you want it while cutting monthly energy bills
- Stay warm with supplemental heat comparable to a freestanding space heater (1500W)

Shown on cover: 35" fireplace insert with Mission front and small three-sided surround

Multi-Function Remote



An intuitive multifunction remote control comes standard.

Fronts



Standard front (included)



Mission Front with operable doors (optional)



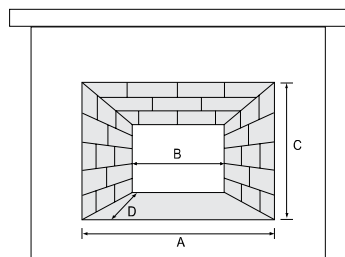
35" fireplace insert framed into wall, with standard front and small four-sided surround

Restore the focal point of your home in two easy steps.

1. Measure your existing fireplace opening and choose your insert.

The height, width and depth of the existing fireplace opening is needed to ensure an appropriately sized insert is selected.

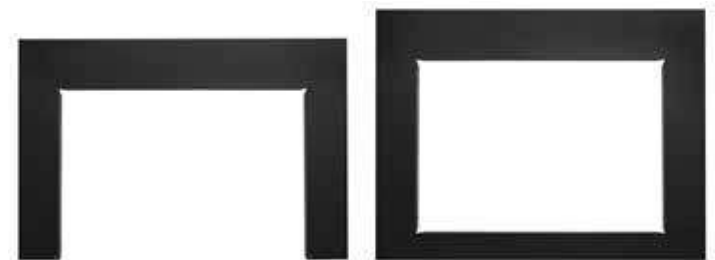
- A _____
- B _____
- C _____
- D _____



	25" Insert	30" Insert	35" Insert
Front Width A	25" [635]	30" [762]	35-1/8" [892]
Rear Width B	18" [457]	23" [584]	28-1/8" [714]
Height C	16-3/8" [416]	20-5/8" [524]	23-3/8" [594]
Depth D	11-3/8" [289]	11-3/8" [289]	11-3/8" [289]

2. Select your surround.

A surround fills the gap between the fireplace insert and existing fireplace opening. Choose from two sizes, configurable with 3 sides or 4 sides.



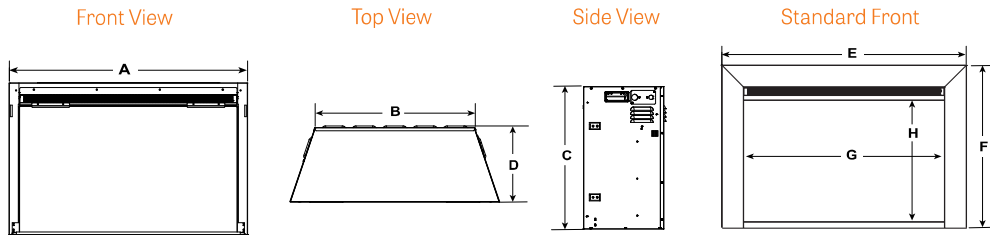
3-Sided Configuration

4-Sided Configuration

Size	Configuration	25" Insert	30" Insert	35" Insert
Small	3-Sided	35" x 23" [889mm x 584mm]	40" x 27" [1016mm x 686mm]	42" x 29" [1067mm x 737mm]
	4-Sided	35" x 26-7/16" [889mm x 672mm]	40" x 30-1/2" [1016mm x 773mm]	42" x 31" [1067mm x 784mm]
Large	3-Sided	37" x 26" [940mm x 660mm]	42" x 30" [1067mm x 762mm]	44" x 32" [1118mm x 813mm]
	4-Sided	37" x 30-1/2" [940mm x 773mm]	42" x 34-1/2" [1067mm x 875mm]	44" x 35" [1118mm x 886mm]

Specifications

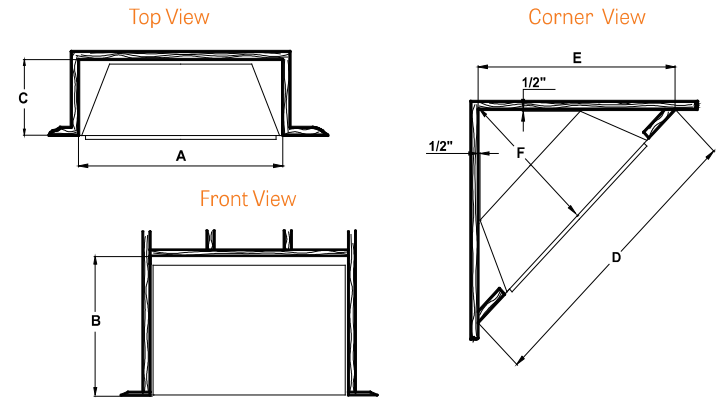
Model	WATTS	Front Width (A)	Rear Width (B)	Height (C)	Depth (D)	Standard Front (E x F)	Viewing Area (G x H)
SF-INS25	1,500	24-7/8" [632]	17-7/8" [454]	16-1/4" [413]	11-1/4" [286]	27-7/8" x 17-1/2" [708 x 445]	22" x 12" [559 x 305]
SF-INS30	1,500	29-7/8" [758]	22-7/8" [581]	20-1/2" [521]	11-1/4" [286]	33" x 21-3/4" [838 x 552]	27" x 16-1/4" [686 x 413]
SF-INS35	1,500	35" [889]	28" [711]	23-1/4" [591]	11-1/4" [286]	38" x 24-1/2" [965 x 622]	32-1/8" x 19" [816 x 483]



Dimensions above are in inches. Reference dimensions only. We recommend measuring individual appliances at installation. Refer to installation manual for detailed specifications on installing this product. SimpliFire reserves the right to update appliances periodically.

Framing Dimensions

Model	Framing Width A	Framing Height B	Framing Depth C	Framing Width D	Framing Depth E	Framing Depth F
SF-INS25	25-3/8" [645]	16-3/8" [416]	11-3/8" [289]	39-1/4" [997]	28" [711]	20" [508]
SF-INS30	30-3/8" [772]	20-5/8" [524]	11-3/8" [289]	44-1/4" [1124]	31-1/2" [800]	22-3/8" [568]
SF-INS35	35-1/2" [902]	23-1/2" [597]	11-3/8" [289]	49-1/4" [1251]	35-1/4" [895]	25-1/8" [638]



simplifire.com