



# WOOD INSERTS & FIREPLACES

REGENCY-FIRE.COM



# WHY CHOOSE REGENCY?

At Regency, our past 40 years have been focused on providing a high-level of service while building high-quality and reliable products that our customers can enjoy for years to come.

## HIGH-QUALITY

*Producing a high-quality product has been at the very heart of what we do; from when that very first stove rolled off the production line over 40 years ago to today. We are ever-focused on producing quality products for our customers that will last for years to come.*

## BEST WARRANTY

*A fireplace should be reliable and should work right the first time it is used, and the 1,000<sup>th</sup>. A core part of our business is making sure that we are building long-lasting, durable, high-quality products. We back-up that commitment with the industry's best warranty on all our products.*

## COST-EFFICIENT

*Never before have home heating costs been higher. Turn your furnace way down and zone heat with our beautiful, reliable and convenient Regency products. Not only can you cut your fuel bills in half, but you'll be able to enjoy the timeless comfort of a Regency fire.*

***Why Regency? Because it's more than a fireplace!***



# TABLE OF CONTENTS

## WOOD INSERTS

|                            |    |
|----------------------------|----|
| Hampton® Hi1150            | 06 |
| Regency Alterra® Ci1150    | 07 |
| Regency Classic™ i1150     | 08 |
| Regency Cascades™ i1500    | 09 |
| Regency Classic™ i2450     | 10 |
| Regency Cascades™ i2500    | 11 |
| Hampton® Hi2450            | 12 |
| Hampton® Hi500             | 13 |
| Regency Pro-Series™ Ci2700 | 14 |
| Technology                 | 16 |
| Accessories                | 18 |

## WOOD FIREPLACES

|                        |    |
|------------------------|----|
| Regency Alterra® CF780 | 20 |
| Regency Contura® Ri50  | 22 |
| Specifications         | 24 |





**renewable • affordable • beautiful**



# REGENCY WOOD PRODUCTS



## **ECO-FRIENDLY**

Regency wood inserts are EPA 2020 Certified so you burn less wood, produce fewer emissions, and get longer burns while keeping your home warm all year long.



## **HIGHLY EFFICIENT**

Using more of the wood's available energy means less loading, less chopping, less effort, and most importantly less money spent on wood! Save money with highly efficient Regency wood products.



## **INDUSTRY'S BEST WARRANTY**

Every product is backed by our lifetime limited warranty, and our hybrid products offer a 10-year, 100% warranty on the original combustor. The best in the industry!



## **QUALITY, DURABLE PRODUCTS**

Regency wood products are manufactured right here in North America using high-quality thick gauge steel. All Regency products are designed from the ground up to be durable and to last generations.



## **ECO BOOST - TRIPLE BURN TECHNOLOGY**

Triple stage burn technology delivers a system of high-efficiency, clean combustion and maximum heat control, all with less wood, less loading and less effort.



Hi1150 shown in timberline brown.

## HAMPTON® | Hi1150 Small Non-Catalytic Wood Insert

The Hampton Hi1150 small cast iron wood insert offers a traditional look and feel of cast iron with modern efficiency. This unit delivers up to 55,000 BTU of high-efficiency heat throughout your home providing comfort and warmth to the living areas you spend time in. Decrease your heating bills and increase the value of your home with this beautiful Hampton insert.

### FEATURES

- Large fire viewing area, with heat radiating ceramic glass
- Decorative cast iron grille
- Cast iron exterior provides additional radiant heating
- Wood-finished handle
- Heavy-duty cast hinges that will never bend or break
- Solid forged steel adjustable cam lock ensures a tight door seal over time
- Side-mounted air adjustment
- High-performance brick-lined firebox reflects heat
- Non-obtrusive air wash curtain keeps glass clean
- Heavy gauge steel log retainers to stop logs from rolling

### OPTIONS

- Metallic black or timberline brown enamel finish
- 2-speed blower
- Power outlet conversion
- Regency stainless steel flex liner kits (5.5" DIA) in 25 ft. and 35 ft. lengths
- Wrap insulation kits
- Flue connectors

### SPECIFICATIONS

|                          |                   |
|--------------------------|-------------------|
| Maximum BTU*             | 55,000            |
| Typical sq. ft. heated** | 600 - 1,200       |
| EPA Efficiency           | 75% LHV / 70% HHV |
| Max log size             | 18"               |
| Burn time                | Up to 8 hours     |
| Emissions                | 1.7 g/h           |
| Firebox size             | 1.3 cu. ft.       |
| Flue size                | 6"                |

### MIN. FIREPLACE OPENING

|                               |               |
|-------------------------------|---------------|
| Width (front) x Height        | 25" x 19-5/8" |
| Depth (standard flue adapter) | 15"           |
| Depth (offset flue adapter)   | 18-1/16"      |

NOTE: The ember protection shown in these images may not accurately reflect the ember protection dimensions required for your area.

\* Length of burn time and BTU range depend on type of wood, moisture content, climate conditions and installation. Refer to page 18 for BTU calculation method.

\*\* Varies depending on home floor plan, house layout, heat loss of the house and quality/moisture content of wood.



Ci1150 small wood insert.

## REGENCY ALTERRA® | Ci1150 Small Non-Catalytic Wood Insert

This Alterra small contemporary cast iron wood insert provides a flush and clean design for your existing fireplace. This compact wood heater delivers exceptional heating capacity and the two-speed blower helps distribute the heat to the far corners of your living space.

### FEATURES

- Large fire viewing area, with heat radiating ceramic glass
- Cast iron faceplate provides additional radiant heating
- Heavy-duty cast hinges that will never bend or break
- Solid forged steel adjustable cam lock ensures a tight door seal over time
- Front-mounted air adjustment
- High-performance brick-lined firebox reflects heat
- Non-obtrusive air wash curtain keeps glass clean
- Heavy gauge steel log retainers to stop logs from rolling
- Flush mount 2-speed blower

### OPTIONS

- Regular or custom made backing plates
- Standard or 4-1/2" offset flue adaptor
- Regency stainless steel flex liner kits (5.5" DIA) in 25 ft. and 35 ft. lengths
- Flue connectors
- Wrap insulation kits

### SPECIFICATIONS

|                          |                   |
|--------------------------|-------------------|
| Maximum BTU*             | 55,000            |
| Typical sq. ft. heated** | 600 - 1,200       |
| EPA Efficiency           | 75% LHV / 70% HHV |
| Max log size             | 18"               |
| Burn time                | Up to 8 hours     |
| Emissions                | 1.7 g/h           |
| Firebox size             | 1.3 cu. ft.       |
| Flue size                | 6"                |

### MIN. FIREPLACE OPENING

|                               |           |
|-------------------------------|-----------|
| Width (front) x Height        | 25" x 23" |
| Depth (standard flue adapter) | 15-1/8"   |
| Depth (offset flue adapter)   | 18-1/8"   |

NOTE: The ember protection shown in these images may not accurately reflect the ember protection dimensions required for your area.

\* Length of burn time and BTU range depend on type of wood, moisture content, climate conditions and installation. Refer to page 18 for BTU calculation method.

\*\* Varies depending on home floor plan, house layout, heat loss of the house and quality/moisture content of wood.



i1150 shown with nickel accent door & oversize backing plate.

## REGENCY CLASSIC™ | i1150 Small Non-Catalytic Wood Insert

This Regency Classic i1150 small wood insert is perfect to seal off that drafty fireplace that isn't quite big enough for a full sized heater or for that area in your home that requires a smaller heater. It also adapts to fit most pre-fabricated fireplaces.

### FEATURES

- Large fire viewing area, with heat radiating ceramic glass
- Wood-finished handle
- Heavy-duty cast hinges that will never bend or break
- Solid forged steel adjustable cam lock ensures a tight door seal over time
- Front-mounted air adjustment
- Air operating safety tool
- High-performance brick-lined firebox reflects heat
- Non-obtrusive air wash curtain to keeps glass clean
- Heavy-gauge steel log retainers to stop logs from rolling
- Welded ash lip will never bend or break

### OPTIONS

- Cast iron door with heat radiating ceramic glass in black or nickel accent
- Regular or oversize backing plate (black trim included)
- Variable-speed blower
- Standard or 4-1/2" offset flue adaptor
- Regency stainless steel flex liner kits (5.5" DIA) in 25 ft. and 35 ft. lengths
- Wrap insulation kits
- Flue connectors

### SPECIFICATIONS

|                          |                   |
|--------------------------|-------------------|
| Maximum BTU*             | 55,000            |
| Typical sq. ft. heated** | 600 - 1,200       |
| EPA Efficiency           | 75% LHV / 70% HHV |
| Max log size             | 18"               |
| Burn time                | Up to 8 hours     |
| Emissions                | 1.7 g/h           |
| Firebox size             | 1.3 cu. ft.       |
| Flue size                | 6"                |

### MIN. FIREPLACE OPENING

|                               |           |
|-------------------------------|-----------|
| Width (front) x Height        | 23" x 19" |
| Depth (standard flue adapter) | 13-3/4"   |
| Depth (offset flue adapter)   | 16-1/2"   |

NOTE: The ember protection shown in these images may not accurately reflect the ember protection dimensions required for your area.

\* Length of burn time and BTU range depend on type of wood, moisture content, climate conditions and installation. Refer to page 18 for BTU calculation method.

\*\* Varies depending on home floor plan, house layout, heat loss of the house and quality/moisture content of wood.





*i1500 shown with black door and regular backing plate.*

## REGENCY CASCADES™ | i1500 Small Hybrid Wood Insert

The Regency Cascades i1500 small hybrid wood insert features Regency's Eco-Boost triple burn technology to allow for longer burns, fewer emissions, and greater efficiency. Perfect for sealing a drafty fireplace or adding high-efficiency warmth to a smaller space.

### FEATURES

- Large fire viewing area, with heat radiating ceramic glass
- Wood-finished handle
- Heavy-duty cast hinges that will never bend or break
- Solid forged steel adjustable cam lock ensures a tight door seal over time
- Front-mounted air adjustment & catalytic bypass
- Air & bypass safe operation tool
- Digital catalytic temperature monitor helps your stove reach maximum burn times & efficiency
- High-performance brick-lined firebox reflects heat
- Non-obtrusive air wash curtain keeps glass clean
- Heavy gauge steel log retainers to stop logs from rolling
- Welded ash lip will never bend or break
- 10-year 100% coverage on the original catalyst

### OPTIONS

- Cast iron door with heat radiating ceramic glass in black or nickel accent
- Regular or oversize backing plate (black trim included)
- Variable-speed blower
- Standard or 4-1/2" offset flue adaptor
- Regency stainless steel flex liner kits (5.5" DIA) in 25 ft. and 35 ft. lengths
- Wrap insulation kits

### SPECIFICATIONS

|                          |                      |
|--------------------------|----------------------|
| Maximum BTU*             | 55,000               |
| Typical sq. ft. heated** | 600 - 1,200          |
| EPA Efficiency           | 84% LHV / 77.70% HHV |
| Max log size             | 18"                  |
| Burn time                | Up to 10 hours       |
| Emissions                | 1.0 g/h              |
| Firebox size             | 1.3 cu. ft.          |
| Flue size                | 6"                   |

### MIN. FIREPLACE OPENING

|                               |           |
|-------------------------------|-----------|
| Width (front) x Height        | 23" x 19" |
| Depth (standard flue adapter) | 13-3/4"   |
| Depth (offset flue adapter)   | 16-1/2"   |

*NOTE: The ember protection shown in these images may not accurately reflect the ember protection dimensions required for your area.*

*\* Length of burn time and BTU range depend on type of wood, moisture content, climate conditions and installation. Refer to page 18 for BTU calculation method.*

*\*\* Varies depending on home floor plan, house layout, heat loss of the house and quality/moisture content of wood.*



i2450 shown with nickel accent door & oversize backing plate.

## REGENCY CLASSIC™ | i2450 Medium Non-Catalytic Wood Insert

The Regency Classic i2450 medium wood insert is ready to install and fits easily into your existing fireplace. Quickly and easily load wood front to back or side-to-side and experience long efficient burns. With the i2450 classic wood style meets modern wood burning technology.

### FEATURES

- Large fire viewing area, with heat radiating ceramic glass
- Wood-finished handle
- Heavy-duty cast hinges that will never bend or break
- Solid forged steel adjustable cam lock ensures a tight door seal over time
- Side-mounted air adjustment
- Air operating safety tool
- High-performance brick-lined firebox reflects heat
- Non-obtrusive air wash curtain keeps glass clean
- Black convection grilles
- Welded ash lip will never bend or break

### OPTIONS

- Cast iron door with heat radiating ceramic glass in black or nickel accent
- Nickel convection grilles
- Regular or oversize backing plate (black trim included)
- 2-speed blower
- Regency stainless steel flex liner kits (5.5" DIA) in 25 ft. and 35 ft. lengths
- Wrap insulation kits
- Flue connectors

### SPECIFICATIONS

|                          |                   |
|--------------------------|-------------------|
| Maximum BTU*             | 75,000            |
| Typical sq. ft. heated** | 1,000 - 2,200     |
| EPA Efficiency           | 72% LHV / 67% HHV |
| Max log size             | 18"               |
| Burn time                | Up to 10 hours    |
| Emissions                | 1.4 g/h           |
| Firebox size             | 2.3 cu. ft.       |
| Flue size                | 6"                |

### MIN. FIREPLACE OPENING

|                               |               |
|-------------------------------|---------------|
| Width (front) x Height        | 25" x 21-1/2" |
| Depth (standard flue adapter) | 17"           |
| Depth (offset flue adapter)   | --            |

NOTE: The ember protection shown in these images may not accurately reflect the ember protection dimensions required for your area.

\* Length of burn time and BTU range depend on type of wood, moisture content, climate conditions and installation. Refer to page 18 for BTU calculation method.

\*\* Varies depending on home floor plan, house layout, heat loss of the house and quality/moisture content of wood.



*i2500 shown with nickel accent door & regular backing plate.*

# REGENCY CASCADES™ | i2500 *Medium Hybrid Wood Insert*

The Regency Cascades i2450 medium hybrid wood insert features Regency's Eco-Boost triple burn technology designed to improve efficiency and burn times while reducing emissions. By using the latest in wood burning technology the Cascades i2500 provides long, clean burns so you burn less wood throughout the year.

## FEATURES

- Wood-finished handle
- Heavy-duty cast hinges that will never bend or break
- Solid forged steel adjustable cam lock ensures a tight door seal over time
- Side-mounted air adjustment & front-mounted catalytic bypass
- Air & bypass safe operation tool
- Digital catalytic temperature monitor helps your stove reach maximum burn times & efficiency
- High-performance brick-lined firebox reflects heat
- Non-obtrusive air wash curtain keeps glass clean
- Black convection grilles
- Welded ash lip will never bend or break
- 10-year 100% coverage on the original catalyst

## OPTIONS

- Cast iron door with heat radiating ceramic glass in black or nickel accent
- Nickel convection grilles
- Regular or oversize backing plate (black trim included)
- 2-speed blower
- Regency stainless steel flex liner kits (5.5" DIA) in 25 ft. and 35 ft. lengths
- Wrap insulation kits

## SPECIFICATIONS

|                          |                   |
|--------------------------|-------------------|
| Maximum BTU*             | 78,000            |
| Typical sq. ft. heated** | 1,000 - 2,200     |
| EPA Efficiency           | 82% LHV / 76% HHV |
| Max log size             | 18"               |
| Burn time                | Up to 12 hours    |
| Emissions                | 1.0 g/h           |
| Firebox size             | 2.3 cu. ft.       |
| Flue size                | 6"                |

## MIN. FIREPLACE OPENING

|                               |               |
|-------------------------------|---------------|
| Width (front) x Height        | 25" x 21-1/2" |
| Depth (standard flue adapter) | 17"           |
| Depth (offset flue adapter)   | --            |

*NOTE: The ember protection shown in these images may not accurately reflect the ember protection dimensions required for your area.*

*\* Length of burn time and BTU range depend on type of wood, moisture content, climate conditions and installation. Refer to page 18 for BTU calculation method.*

*\*\* Varies depending on home floor plan, house layout, heat loss of the house and quality/moisture content of wood.*



Hi2450 shown with regular faceplate in metallic black.

## HAMPTON® | Hi2450 Medium Non-Catalytic Wood Insert

This Hampton medium cast iron wood insert adds the timeless beauty of cast iron while eliminating drafts from an open fireplace and adding a high-efficiency heater to your home. Choose from two colors, in different finishing to compliment your existing décor.

### FEATURES

- Cast iron exterior provides additional radiant heating
- Wood-finished handle
- Heavy-duty cast hinges that will never bend or break
- Solid forged steel adjustable cam lock ensures a tight door seal over time
- Side-mounted air adjustment
- High-performance brick-lined firebox reflects heat
- Non-obtrusive air wash curtain keeps glass clean

### OPTIONS

- Metallic black or timberline brown enamel finish
- 2-speed blower
- Regular or oversize faceplate
- Decorative cast iron grille
- Power outlet conversion
- Regency stainless steel flex liner kits (5.5" DIA) in 25 ft. and 35 ft. lengths
- Wrap insulation kits
- Flue connectors

### SPECIFICATIONS

|                          |                   |
|--------------------------|-------------------|
| Maximum BTU*             | 75,000            |
| Typical sq. ft. heated** | 1,000 - 2,200     |
| EPA Efficiency           | 72% LHV / 67% HHV |
| Max log size             | 18"               |
| Burn time                | Up to 10 hours    |
| Emissions                | 1.4 g/h           |
| Firebox size             | 2.3 cu. ft.       |
| Flue size                | 6"                |

### MIN. FIREPLACE OPENING

|                               |               |
|-------------------------------|---------------|
| Width (front) x Height        | 25" x 21-1/2" |
| Depth (standard flue adapter) | 17"           |
| Depth (offset flue adapter)   | --            |

NOTE: The ember protection shown in these images may not accurately reflect the ember protection dimensions required for your area.

\* Length of burn time and BTU range depend on type of wood, moisture content, climate conditions and installation. Refer to page 18 for BTU calculation method.

\*\* Varies depending on home floor plan, house layout, heat loss of the house and quality/moisture content of wood.



Hi500 shown with decorative cast iron grille (digital catalytic monitor not shown).

# HAMPTON® | Hi500 Large Hybrid Wood Insert

The Hampton Hi500 is a large cast iron hybrid wood insert featuring Regency's Eco-Boost triple burn technology. Experience long term burns, fewer emissions, and greater efficiency. The Hi500 combines modern technology and traditional design so you can enjoy the best of both worlds without sacrificing style or efficiency!

## FEATURES

- Cast iron exterior provides additional radiant heating
- Heavy-duty cast hinges that will never bend or break
- Solid forged steel adjustable cam lock ensures a tight door seal over time
- Front-mounted air adjustment & catalytic bypass
- Digital catalytic temperature monitor helps your stove reach maximum burn times & efficiency
- High-performance brick-lined firebox reflects heat
- Non-obtrusive air wash curtain keeps glass clean
- Heavy gauge steel log retainers to stop logs from rolling
- 110° opening door for easy loading
- 10-year 100% coverage on the original catalyst

## OPTIONS

- Metallic black or timberline brown enamel finish
- Flush mount 2-speed blower
- Regular or oversize faceplate
- Decorative cast iron grille
- Backing plates in two sizes, or custom made to order
- Offset flue adaptor for installation flexibility
- Regency stainless steel flex liner kits (5.5" DIA) in 25 ft. and 35 ft. lengths
- Wrap insulation kits

## SPECIFICATIONS

|                          |                   |
|--------------------------|-------------------|
| Maximum BTU*             | 78,000            |
| Typical sq. ft. heated** | up to 2,600       |
| EPA Efficiency           | 79% LHV / 74% HHV |
| Max log size             | 22"               |
| Burn time                | Up to 14 hours    |
| Emissions                | 1.3 g/h           |
| Firebox size             | 2.6 cu. ft.       |
| Flue size                | 6"                |

## MIN. FIREPLACE OPENING

|                               |               |
|-------------------------------|---------------|
| Width (front) x Height        | 29" x 21-3/4" |
| Depth (standard flue adapter) | 19"           |
| Depth (offset flue adapter)   | --            |

NOTE: The ember protection shown in these images may not accurately reflect the ember protection dimensions required for your area.

\* Length of burn time and BTU range depend on type of wood, moisture content, climate conditions and installation. Refer to page 18 for BTU calculation method.

\*\* Varies depending on home floor plan, house layout, heat loss of the house and quality/moisture content of wood.



*Ci2700 shown with low profile faceplate (digital catalytic monitor not shown).*

## REGENCY PRO-SERIES™

## Ci2700 Large Hybrid Wood Insert

Regency Pro-Series Ci2700 contemporary cast iron hybrid wood insert features Regency's Eco-Boost triple burn technology to yield long burn times and minimal emissions. This insert's flush design takes the wood insert category to a whole new level. Clean lines surround an expansive linear firebox to provide you with a designer look around an impressive fire.

### FEATURES

- Heavy-duty cast hinges that will never bend or break
- Solid forged steel adjustable cam lock ensures a tight door seal over time
- Front-mounted air adjustment & catalytic bypass
- Digital catalytic temperature monitor helps your stove reach maximum burn times & efficiency
- High-performance brick-lined firebox reflects heat
- Non-obtrusive air wash curtain keeps glass clean
- Heavy gauge steel log retainers to stop logs from rolling
- 110° opening door for easy loading
- 10-year 100% coverage on the original catalyst

### OPTIONS

- Low profile or contemporary faceplate
- Concealed 2-speed blower
- Backing plate in 2 sizes, or custom made to order
- Offset flue adapter for installation flexibility
- Regency stainless steel flex liner kits (5.5" DIA) in 25 ft. and 35 ft. lengths
- Wrap insulation kits



Ci2700 shown with contemporary faceplate & oversized backing plate.

**SPECIFICATIONS**

|                          |                   |
|--------------------------|-------------------|
| Maximum BTU*             | 78,000            |
| Typical sq. ft. heated** | up to 2,600       |
| EPA Efficiency           | 79% LHV / 74% HHV |
| Max log size             | 22"               |
| Burn time                | Up to 14 hours    |
| Emissions                | 1.3 g/h           |
| Firebox size             | 2.6 cu. ft.       |
| Flue size                | 6"                |

**MIN. FIREPLACE OPENING**

|                               |               |
|-------------------------------|---------------|
| Width (front) x Height        | 29" x 21-3/4" |
| Depth (standard flue adapter) | 19"           |
| Depth (offset flue adapter)   | --            |



Regular Backing Plate



Oversized Backing Plate



Custom Backing Plate

NOTE: The ember protection shown in these images may not accurately reflect the ember protection dimensions required for your area.

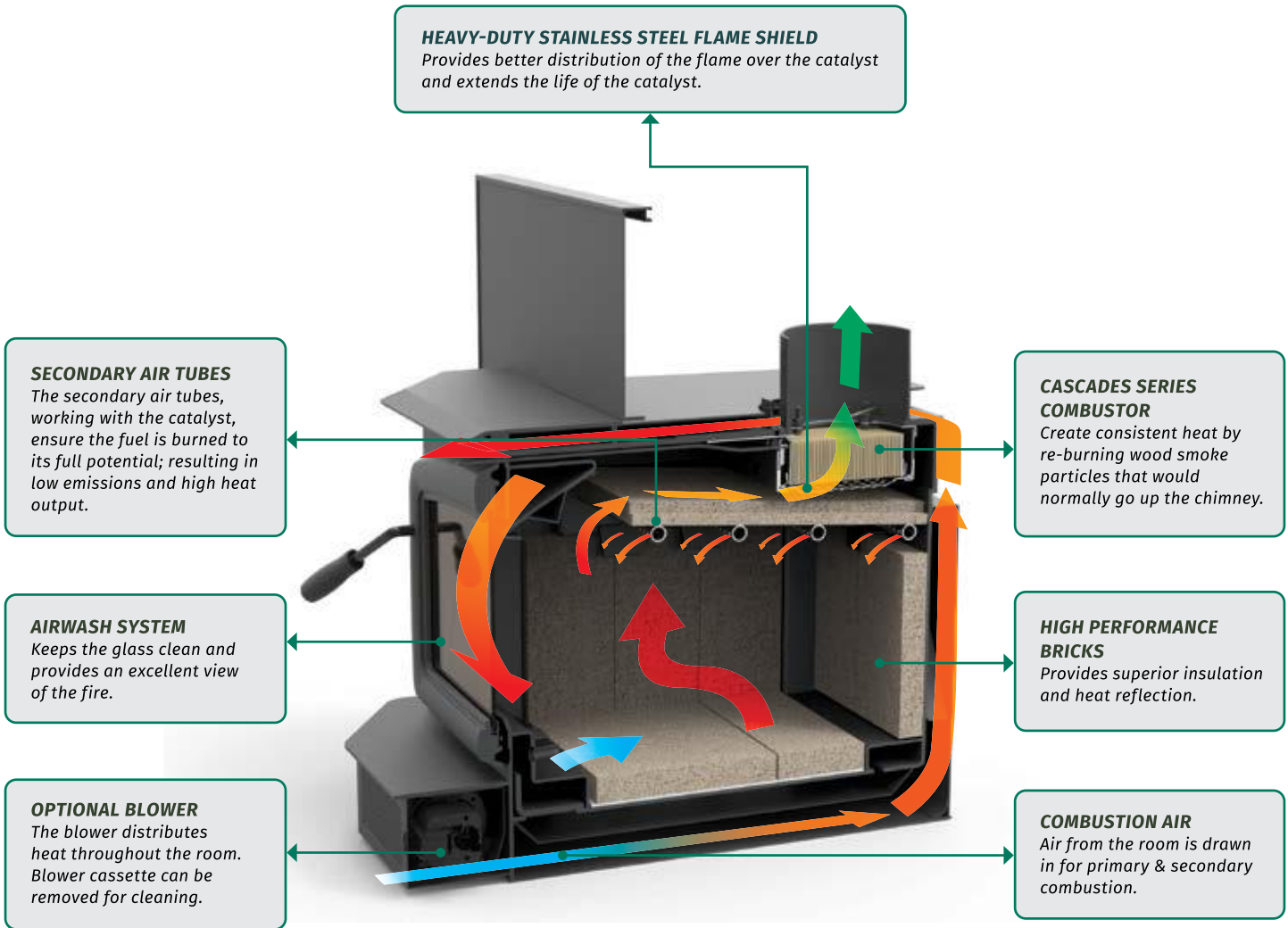
\* Length of burn time and BTU range depend on type of wood, moisture content, climate conditions and installation. Refer to page 18 for BTU calculation method.

\*\* Varies depending on home floor plan, house layout, heat loss of the house and quality/moisture content of wood.

# WOOD TECHNOLOGY

## CASCADES SERIES COMBUSTOR

Triple stage burn technology delivers a system of high-efficiency, clean combustion & maximum heat control, all with less wood, less loading & less effort.



LEARN MORE ABOUT OUR WOOD TECHNOLOGIES AT [regency-fire.com/videos](http://regency-fire.com/videos)



NOT SHOWN IN THE DIAGRAM

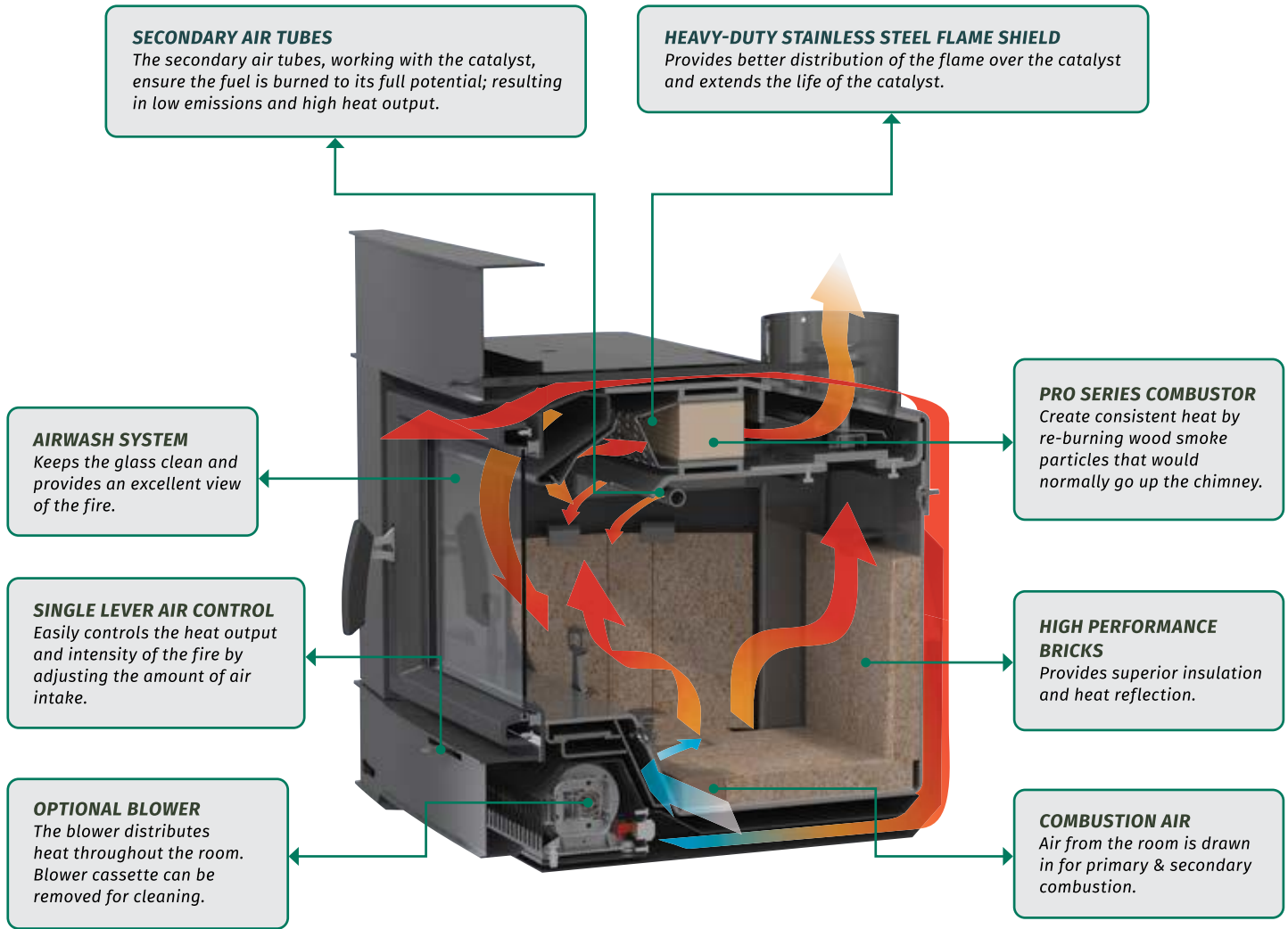
**HEAVY-DUTY CAM LATCH**  
Ensures airtight seal for controlled airflow.



# WOOD TECHNOLOGY

## PRO SERIES COMBUSTOR

With Eco-Boost technology you get more out of your wood. Offering some of the highest efficiencies available anywhere, the Eco-Boost system uses more of the available energy in the wood, resulting in less loading, less chopping, and less hauling. The triple-stage burn significantly reduces emissions below EPA 2020 standards.



NOT SHOWN IN THE DIAGRAM

**HEAVY-DUTY CAM LATCH**  
Ensures airtight seal for controlled airflow.



LEARN MORE ABOUT OUR WOOD TECHNOLOGIES AT [regency-fire.com/videos](https://regency-fire.com/videos)

# ACCESSORIES

## CAST IRON DOORS *(Classic & Cascade Series only)*



Black cast iron door  
(includes black hinge caps)



Nickel accent cast iron door  
(includes nickel hinge caps)

## POWERFUL BLOWER



This powerful blower can dramatically increase the circulation of heat in your home. It includes an automatic heat sensor which turns the blower on & off at predetermined temperatures.

## SPECIFICATIONS RECAP

| SPECIFICATIONS           | Hi1150             | Ci1150 / i1150     | i1500                 | i2450              | i2500              | Hi2450             | Hi500 / Ci2700     |
|--------------------------|--------------------|--------------------|-----------------------|--------------------|--------------------|--------------------|--------------------|
| Maximum BTU*             | 55,000             | 55,000             | 55,000                | 75,000             | 78,000             | 75,000             | 78,000             |
| Typical sq. ft. heated** | 600 - 1,200        | 600 - 1,200        | 600 - 1,200           | 1,000 - 2,200      | 1,000 - 2,200      | 1,000 - 2,200      | up to 2,600        |
| EPA Efficiency           | 75% LHV<br>70% HHV | 75% LHV<br>70% HHV | 84% LHV<br>77.70% HHV | 72% LHV<br>67% HHV | 82% LHV<br>76% HHV | 72% LHV<br>67% HHV | 79% LHV<br>74% HHV |
| Max log size             | 18"                | 18"                | 18"                   | 18"                | 18"                | 18"                | 22"                |
| Burn time*               | Up to 8 hours      | Up to 8 hours      | Up to 10 hours        | Up to 10 hours     | Up to 12 hours     | Up to 10 hours     | Up to 14 hours     |
| Emissions                | 1.7 g/h            | 1.7 g/h            | 1.0 g/h               | 1.4 g/h            | 1.0 g/h            | 1.4 g/h            | 1.3 g/h            |
| Firebox size             | 1.3 cu. ft.        | 1.3 cu. ft.        | 1.3 cu. ft.           | 2.3 cu. ft.        | 2.3 cu. ft.        | 2.3 cu. ft.        | 2.6 cu. ft.        |
| Flue size                | 6"                 | 6"                 | 6"                    | 6"                 | 6"                 | 6"                 | 6"                 |

\* Length of burn time and BTU range depend on type of wood, moisture content, climate conditions and installation.

\*\* Varies depending on home floor plan, house layout, heat loss of the house and quality/moisture content of wood.

\*\*\* EPA LHV = Lower Heating Value Efficiency - Actual measured efficiency as per CSA B415.1

**BTU CALCULATION METHOD:** Max BTUs are calculated by taking an average fillable volume of 95% of the stove's capacity, multiplied by 19.5 pounds per square foot and an average of 9100 BTUs per pound of wood. Factoring in the listed efficiency, 15% moisture content and dividing by the proven burn time at the high heat setting.

# REGENCY WOOD FIREPLACES



**stylish** • **reliable** • **radiant**

## ***RELAX WITH REGENCY DECORATIVE FIREPLACE***

There's nothing quite like sitting by a cozy fire; the dancing flame, crackle of the wood, radiant warmth, and distinctive smell tugs at our heartstrings. This love for fire is deeply ingrained and borne out of evolution; it is no doubt why fireplaces are still sought after. Sitting in front of a fire, we feel calmer, safer, and more sociable. Studies have proven that wood fires lower blood pressure and generate a sense of community with those around us.

Regency decorative wood fireplaces are perfect for those looking to add a stunning fireplace, experience the comfort and ambiance of a real wood fire, but do not require significant heat output for their entire home.



CF780 wood fireplace shown with traditional brick panels.

## REGENCY ALTERRA® | CF780 Large Wood Fireplace

Add natural elegance to any room with Regency's largest portrait style wood fireplace. Designed to showcase the dynamic ambiance of a wood burning fire, the Regency Alterra CF780 is a magnificent and captivating focal point.

### FEATURES

- Easy-to-use: no air adjustment needed - load it and leave it!
- Over 700 sq. in. of fire viewing area
- Clean edge finish puts the focus directly on the fire
- Guillotine style door slides into the chase
- Integrated safety screen can be pulled down when required, or discreetly hidden out of sight
- Stylish removable wooden door tool with strap
- Heavy gauge steel log retainers to stop logs from rolling
- Designed to fit perfectly on any wall, including corners
- Door designed for easy cleaning and complete serviceability
- Top vent with standard 8-inch pipe

### OPTIONS

- Customize the look by choosing from contemporary or traditional brick panels
- Outside air and flue damper can be closed when not in use, preventing cold air from coming into your home
- Approved to use with gas logs
- Various venting kits



CF780 wood fireplace shown with contemporary brick panels.

| SPECIFICATIONS |          |
|----------------|----------|
| Width (front)  | 49-5/8"  |
| Width (back)   | 25-7/8"  |
| Height         | 71-5/16" |
| Depth          | 33-7/8"  |

| SPECIFICATIONS       |              |
|----------------------|--------------|
| Glass viewing height | 23-3/4"      |
| Glass viewing width  | 31-1/4"      |
| Maximum log size     | 18"          |
| Firebox box          | 7.91 cu. ft. |
| Flue size            | 8"           |



CF780 wood fireplace shown with front glass half way and mesh safety screen down

### INNER BRICK PANEL OPTIONS



Contemporary



Traditional

NOTE: The ember protection shown in these images may not accurately reflect the ember protection dimensions required for your area.



*Ri50 shown with black steel panels, two log boxes and black rear wall finishing trim.*

## REGENCY CONTURA™ | Ri50 *Medium Wood Fireplace*

The Contura Ri50 makes starting and maintaining a wood burning fire easy. More than a fireplace, enjoy a gathering place for family and friends. Use the optional, easy to position steel side box as a contemporary seat and stylish storage solution.

### FEATURES

- Easy-to-use: no air adjustment needed - load it and leave it!
- Over 500 sq. in. of fire viewing area from three sides
- 3-sided guillotine style door maximizes design impact
- Side doors swing open for easy cleaning & full firebox access
- Designed to integrate seamlessly into any room
- Thermotte® firebox lining is a perfect fit with no risk of warping
- Integrated removable ash pan makes clean up quick & easy
- Wood log loading gloves included
- Top or rear vent for flexible installation

### OPTIONS

- Available with black steel or white steel panels
- Steel log box allows for stylish, clean storage
- Outside air kit is available to help with air tight homes
- 3" black rear wall finishing trim to create a flush finish



*RI50 shown with white steel panels, log box and black rear wall finishing trim.*

#### SPECIFICATIONS

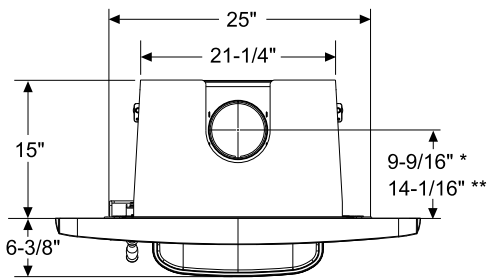
|                  |             |
|------------------|-------------|
| Maximum log size | 16"         |
| Firebox box      | 1.8 cu. ft. |
| Flue size        | 6"          |



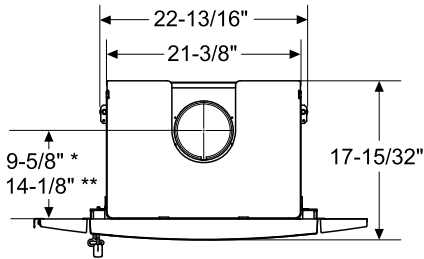
*NOTE: The ember protection shown in these images may not accurately reflect the ember protection dimensions required for your area.*

# SPECIFICATIONS

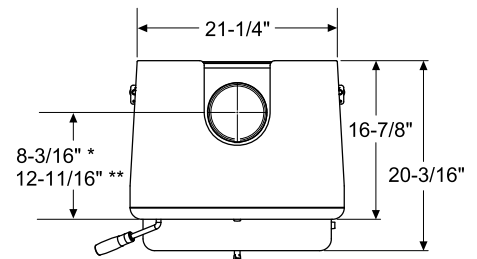
## TOP VIEW



**Hi1150**



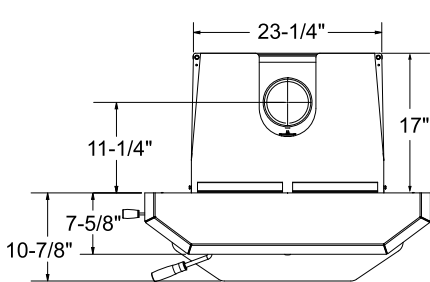
**Ci1150**



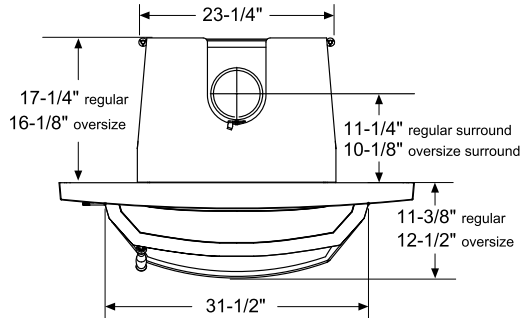
**i1150 / i1500**

\* with standard flue adapter

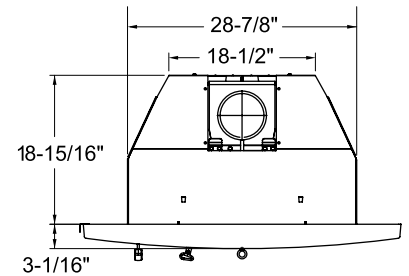
\*\* with offset flue adapter



**i2450 / i2500**



**Hi2450**



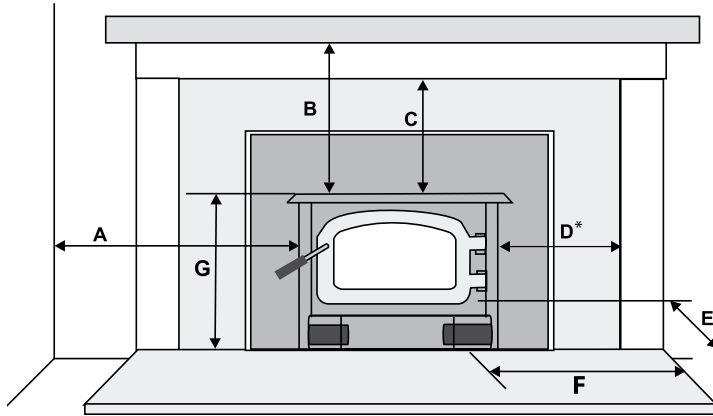
**Ci2700 / Hi500\*\*\***

| DIMENSIONS                     | Hi1150              | Ci1150              | i1150 / i1500 | i2450 / i2500 | Hi2450             | Ci2700 / Hi500*** |
|--------------------------------|---------------------|---------------------|---------------|---------------|--------------------|-------------------|
| Firebox Height                 | 18-13/16"           | 22-1/8"             | 18-3/4"       | 20-3/4"       | 20-13/16"          | 21-1/2"           |
| Height to Top of Flue Collar   | 19-1/2"             | 22-13/16"           | 19-1/2"       | 21-3/8"       | 21-5/8"            | 23-1/2"           |
| Faceplate (W x H)              | 39-13/16" x 27-1/4" | 35-15/16" x 25-3/4" | 38" x 26-3/8" | 40" x 30"     | 42-1/2" x 30-1/4"  | 40" x 26"         |
| Oversize Faceplate (W x H)     | --                  | --                  | 44" x 30-3/8" | 48" x 33"     | 51-7/8" x 34-9/16" | --                |
| Backing Plate (W x H)          | --                  | 40" x 29-1/2"       | --            | --            | --                 | 44" x 29-7/8"     |
| Oversize Backing Plate (W x H) | --                  | --                  | --            | --            | --                 | 48" x 33-7/8"     |

\*\*\*These dimensions only apply to Low Profile & Contemporary Faceplate.

| MIN. FIREPLACE OPENING             | Hi1150   | Ci1150  | i1150 / i1500 | i2450 / i2500 | Hi2450  | Ci2700 / Hi500 |
|------------------------------------|----------|---------|---------------|---------------|---------|----------------|
| Height                             | 19-5/8"  | 23"     | 19"           | 21-1/2"       | 21-1/2" | 21-3/4"        |
| Width (front)                      | 25"      | 25"     | 23"           | 25"           | 25"     | 29"            |
| Depth (with standard flue adapter) | 15"      | 15-1/8" | 13-3/4"       | 17"           | 17"     | 19"            |
| Depth (with offset flue adapter)   | 18-1/16" | 18-1/8" | 16-1/2"       | --            | --      | --             |





**MASONRY AND FACTORY BUILT FIREPLACE CLEARANCES**

The minimum required clearances to combustibles when installed into a masonry or factory built fireplace are listed below for 3.5" mantle:

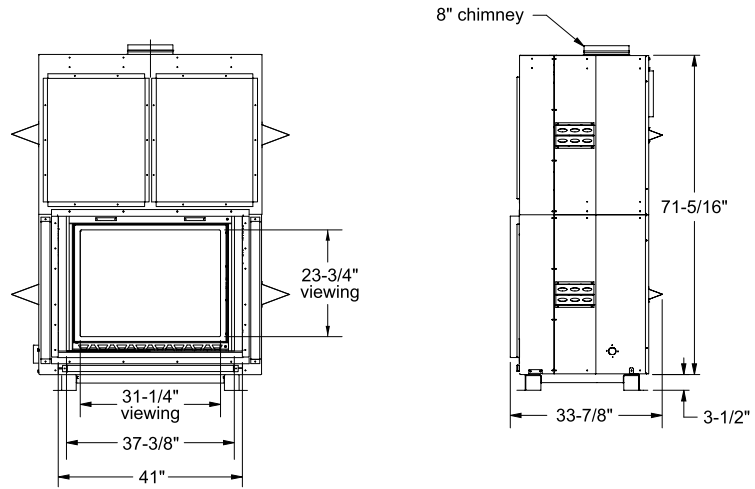
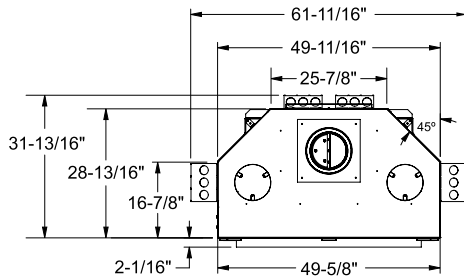
| UNITS          | ADJACENT SIDE WALL (TO SIDE) | MANTLE (TO TOP OF UNIT)        | TOP FACING (TO TOP OF UNIT) | SIDE FACING (TO SIDE OF UNIT) | MIN. HEARTH EXTENSION |         | MINIMUM HEARTH SIDE EXTENSION | TO TOP OF UNIT |
|----------------|------------------------------|--------------------------------|-----------------------------|-------------------------------|-----------------------|---------|-------------------------------|----------------|
|                | A                            | B                              | C                           | D                             | E (USA)               | E (CAN) | F                             | G              |
| Hi1150         | 15"                          | 20"                            | 14"                         | 7-7/8"                        | 16"                   | 18"     | 8"                            | 19"            |
| Ci1150         | 15"                          | 20"                            | 14"                         | 7-3/8"                        | 16"                   | 18"     | 8"                            | 20-1/2"        |
| i1150 / i1500  | 15"                          | 15"                            | 14"                         | 1/2"                          | 16"                   | 18"     | 8"                            | 18-3/4"        |
| i2450 / i2500  | 12"                          | i2450 = 17"<br>i2500 = 22-1/2" | i2450 = 14"<br>i2500 = 16"  | 1/2"                          | 16"                   | 18"     | 8"                            | 20"            |
| Hi2450         | 12"                          | 17"                            | 14"                         | 1/2"                          | 16"                   | 18"     | 8"                            | 21-5/8"        |
| Ci2700 / Hi500 | 12-3/16"                     | 21-5/8"                        | 14"                         | 7-3/8"                        | 16"                   | 18"     | 8"                            | 19-1/4"        |

\* Measured from edge of surround

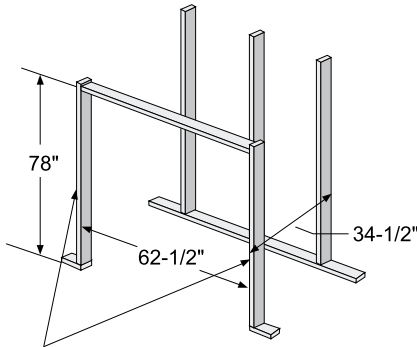
\*\* NOTE: Refer to manual for any mantle greater than 3.5" up to a maximum of 12"

# SPECIFICATIONS

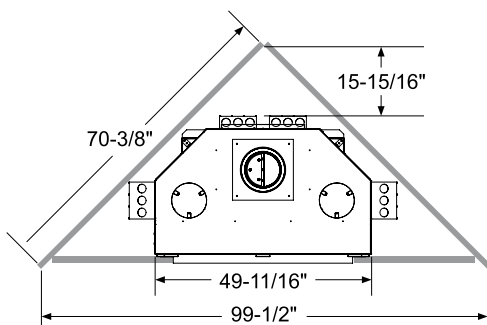
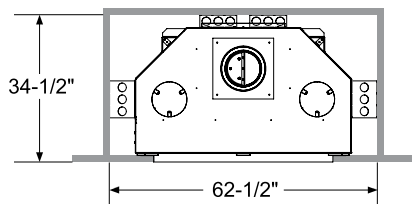
## CF780 - DIMENSIONS



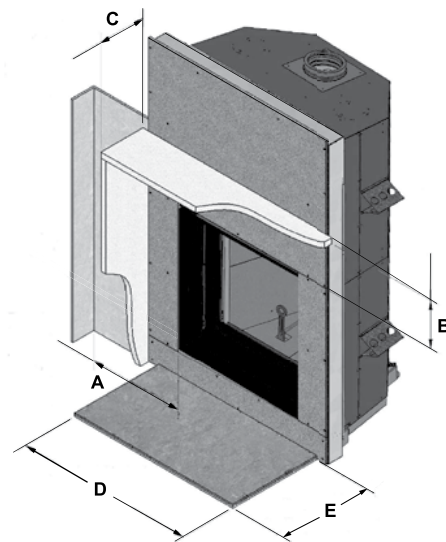
## CF780 - FRAMING



**Front Face** - build with steel studs and non-combustible board. Plan out and frame ventilation grills. Finish with materials such as stone or tile.



## CF780 - CLEARANCES



### MINIMUM CLEARANCE TO COMBUSTIBLES

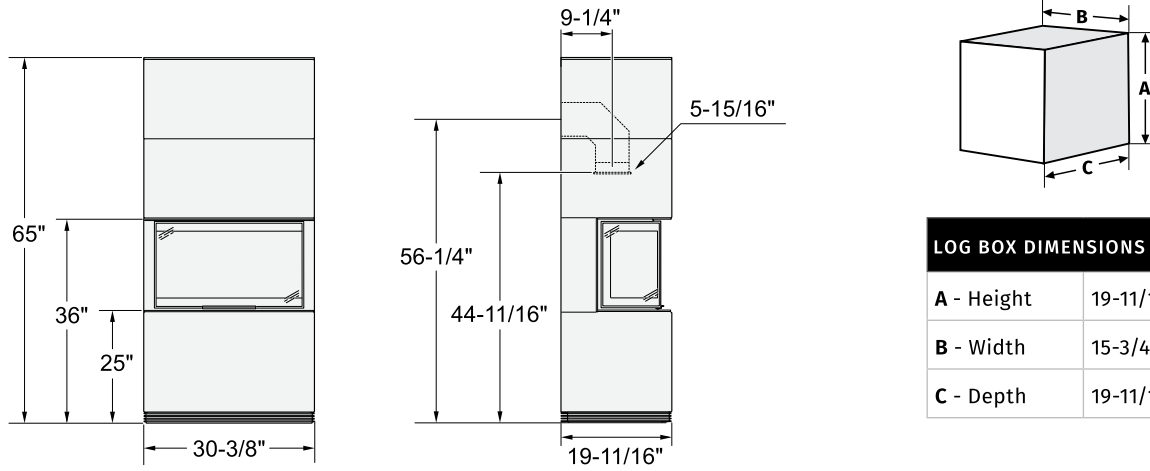
| CF780                               | USA | CANADA |
|-------------------------------------|-----|--------|
| A Side Wall From Side Opening       | 24" | 24"    |
| B Mantel Height (min.) From Opening | 7"  | 7"     |
| C Mantel Depth (max.)               | 12" | 12"    |

### NON-COMBUSTIBLE HEARTH REQUIREMENT

| CF780          | USA     | CANADA  |
|----------------|---------|---------|
| D Hearth Width | 61-3/8" | 61-3/8" |
| E Hearth Depth | 20"     | 20"     |

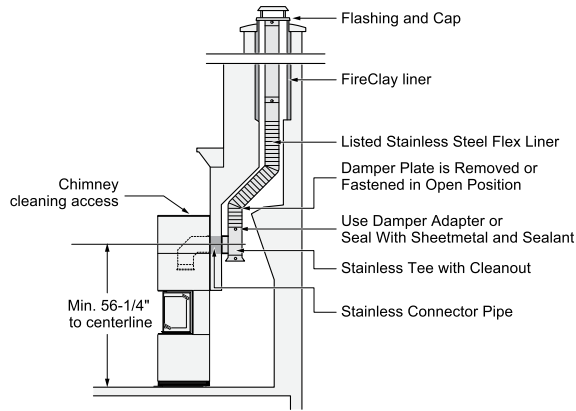
**NOTE:** Refer to manual for more detailed requirements.

## Ri50 - DIMENSIONS



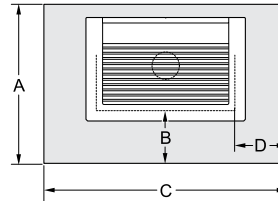
| LOG BOX DIMENSIONS |           |
|--------------------|-----------|
| A - Height         | 19-11/16" |
| B - Width          | 15-3/4"   |
| C - Depth          | 19-11/16" |

## Ri50 - MASONRY FIREPLACE INSTALLATION



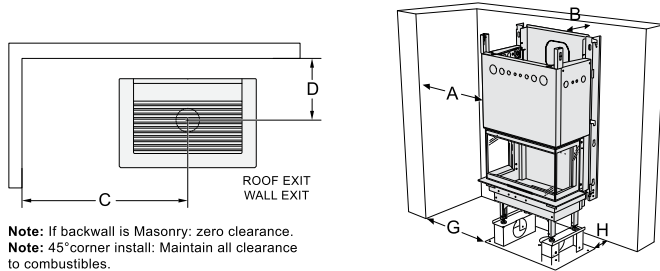
**NOTE:** For full installation details please check the manual and your local Codes and Regulations.

## Ri50 - FLOOR PROTECTION

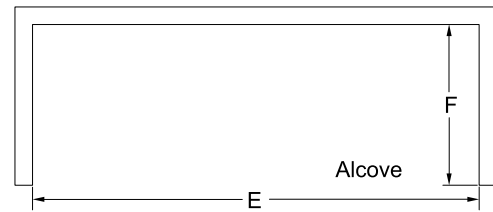


| MINIMUM OVERALL DEPTH (Y) OF FLOOR PROTECTOR    |         |         |
|---|---------|---------|
| Ri50  | USA     | CANADA  |
| A   | 43-1/2" | 45-1/2" |
| B (Edge of Fuel door opening to edge of hearth) | 16"     | 18"     |
| C   | 58-1/2" | 62-1/2" |
| D (Edge of Fuel door opening)                   | 16"     | 18"     |

## Ri50 - CLEARANCES



**Note:** If backwall is Masonry: zero clearance.  
**Note:** 45° corner install: Maintain all clearance to combustibles.



**Note:** Minimum alcove ceiling height - 90"  
 E = Minimum width of alcove - 100"  
 F = Maximum depth of alcove - 36"

**Note:** All the clearances are required for air space between the appliance and wall/ceiling.

| RESIDENTIAL INSTALLATION: DOUBLE WALL CONNECTOR ONLY |        |         |         |      |     |          |    |
|--|--------|---------|---------|------|-----|----------|----|
| A  | B**    | C       | D       | E    | F   | G        | H* |
| 21-1/2"  | 4-1/2" | 35-1/8" | 12-1/8" | 100" | 36" | 21-3/16" | 3" |

**NOTE:** Single wall pipe is not approved for this model.  
 \*If back wall is masonry, clearance is 0".  
 \*\*Distance from the rear heat shield.

**Note:** Be aware that local Codes & Regulations may override some clearances listed in this manual. Check with your local inspector.  
**Note:** Clearances to combustibles are for the safety of the property. To avoid overheating and damaging the appliance these clearances should be maintained for non-combustibles also.

# DESIGN INSPIRATION



# TESTIMONIALS

“

*I am extremely satisfied and happy with the Regency wood-stove insert I purchased. It holds so much wood and goes through the entire night. And with the help of the blower the entire main level of my home (1,800 sq. ft) is so warm I'm able to turn off my heat pump from November - March. Now I just need to purchase another for my basement!*

”



**ALAN S. – GOOGLE REVIEW**

“

*Great product! I love my fireplace insert. It keeps the house warm and cozy, keeps the heating bill low and gives a glass door to see the fire. I have the enameled model which is so easy to clean. Burns so well that you will even save money on firewood.*

”



**PAULINE P. – GOOGLE REVIEW**

“

*My Regency provides ambience and coziness in addition to excellent heat. My daughter bought two for her home because of my experience with them. I love my Regency fireplace and highly recommend them to anyone in the market for a wood burning appliance.*

”



**WILD N. – GOOGLE REVIEW**

# ENVIRONMENTALLY RESPONSIBLE ENERGY

## EPA 2020 CERTIFIED

Regency wood inserts are tested and certified to the strictest clean air standards as set by the United States Environmental Protection Agency (EPA). Regency's wood inserts are fully EPA 2020 certified, meaning they release very little particulate matter into the atmosphere, less than 2.5 grams per hour, compared to the 50–60 grams per hour produced by traditional open hearth fireplaces.

Regency engineers have meticulously designed the firebox to generate efficient airflow around the wood, allowing it to burn more completely, resulting in minimal and very fine ash. When comparing models, check the white EPA labels – a lower g/h rating means a cleaner, more efficient wood stove.

As trees grow, they absorb carbon dioxide from the atmosphere. When trees die and are left to decompose or burn in forest fires, the carbon stored within the trees is released back into the atmosphere, once again as carbon dioxide. Burning firewood produces the same amount of carbon dioxide as it has absorbed – this makes it carbon neutral. Wood is also a renewable, natural energy source.

Well-managed forests are a renewable and sustainable energy source that also helps reduce our reliance on oil and and gas greenhouse gas emissions.



# READY TO BUY

## FIREPLACE SELECTION WORKSHEET

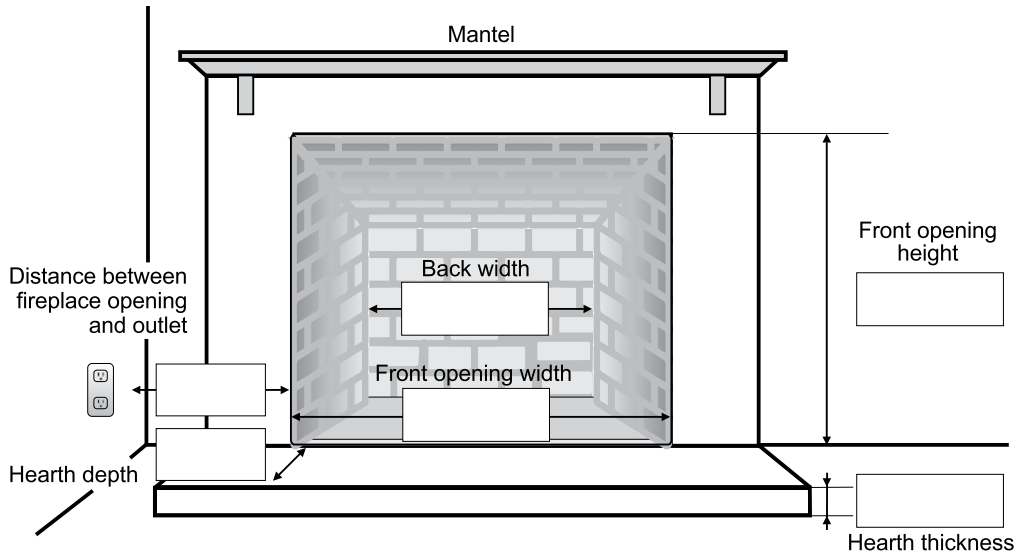
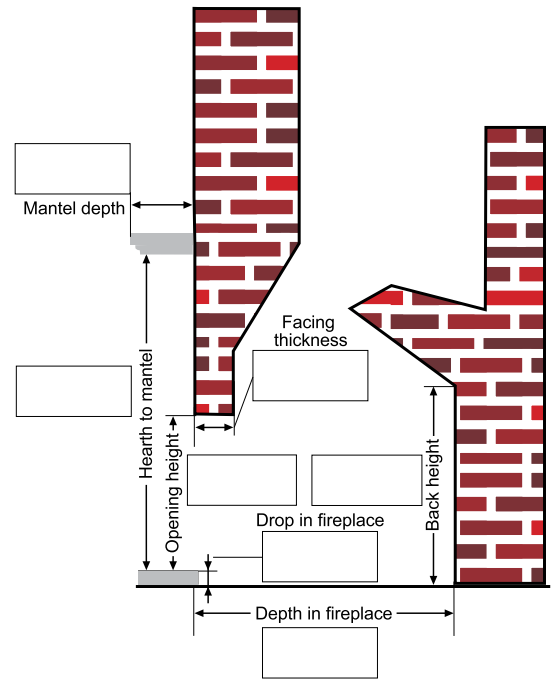
We want you to enjoy your beautiful Regency fireplace for years to come. To help you figure out which product is just right for your home, fill in the following worksheet. Once complete, visit your nearest Regency dealer. Your professional Regency dealer will assess your needs - including local building codes - and install your Regency!

### 1. BASIC PRODUCT FUNCTION QUESTIONS

- a. I would like my unit to provide me with:  Supplemental heating  Priority heating
- b. The room/rooms I would like to heat are: \_\_\_\_\_ sq. ft.

### 2. FIREPLACE PRODUCT TYPE AND MEASUREMENTS

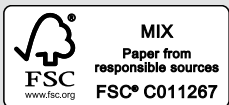
- a. I am:  Installing a new fireplace  Installing into an existing fireplace
- b. Fill in the following measurements:  
 Ceiling Height: \_\_\_\_\_  
 Location in the room: \_\_\_\_\_
- c. What is the:  
 Flooring material: \_\_\_\_\_  
 Wall material: \_\_\_\_\_  
 Ceiling material: \_\_\_\_\_
- d. Fireplace opening dimensions:  
 Width (front): \_\_\_\_\_  
 Width (back): \_\_\_\_\_  
 Height: \_\_\_\_\_  
 Depth: \_\_\_\_\_





[regency-fire.com](http://regency-fire.com)

*Your Regency Dealer*



©2021 FPI Fireplace Products International Ltd. Regency®, Regency Classic™, Regency Cascades™, Regency Pro-Series™, Hampton™, Alterra® and Contura™ are registered or proprietary trademarks of FPI Fireplace Products International Ltd.

All rights reserved. Printed in Canada (07/21)

Part no. 944-439