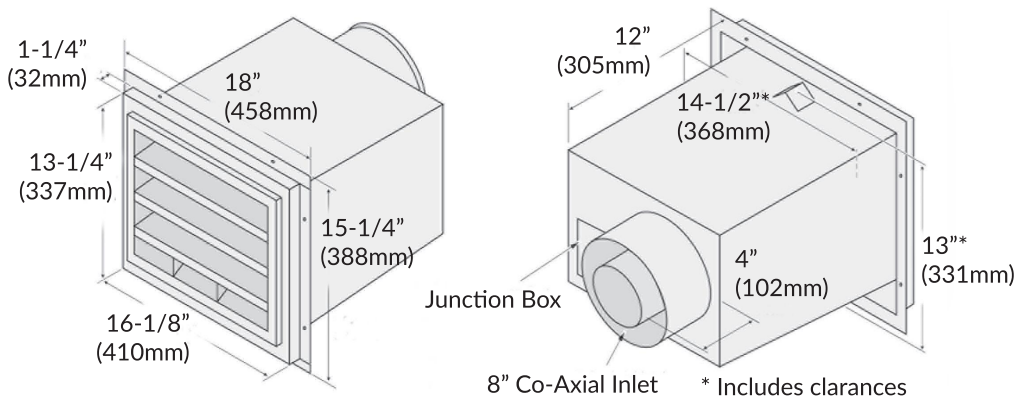


# Power Exhaust Vent Kit Option



Our Power Exhaust Vent Kit allows you to install our gas fireplaces virtually anywhere in your home, by accommodating even the most difficult venting restrictions. This Power Exhaust Vent Kit provides vent runs up to 100 feet, or from 30 to 50 feet either horizontal or vertical, with a maximum of 12 elbows depending on model! This option requires electricity to operate your fireplace. (Not available with ProBuilder MV models).



The flush design of the Power Exhaust Vent termination complements any home's exterior.

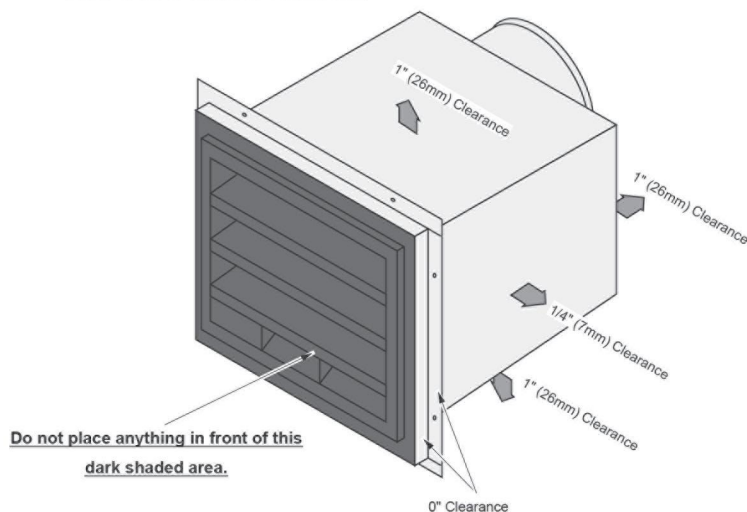
## Installation Considerations

### Notes on Installation and Use of the Power Vent

- This kit requires that 5x8 pipe is used. You may not reduce the pipe to 4x6.
- Appliances that are utilizing the power vent **CANNOT BE USED IN A POWER OUTAGE.**
- Installations that require the use of a power vent must have 120VAC, 60Hz power supplied to the appliance.
- The power vent uses a fan, at the termination, to induce draft. This blower will produce sound when the appliance is in use. In order to minimize the impact, this should be taken into account when planning the installation and securing the termination to the structure. Test the blower prior to sealing the vent enclosure to ensure proper noise abatement has been achieved. You may wish to isolate the blower mounting to reduce vibration.

## Power Vent Assembly Clearances

- Clearances to the termination are illustrated below .
- Seal the outer flange to the structure using silicone rated for 300° F or greater
- Do not cover any portion of the shaded area shown below.
- There are standoffs attached to the termination that provide the minimum clearance needed. Do not remove the standoffs or notch the framing to allow combustibles closer to the termination
- Maximum facing material thickness is 4" to the front of the mounting flange (10.16cm) This applies to combustible or non-combustible material.



## Framing

