

**SR**Smith®

# POOL ACCESS



Pool **Better**™



# Pool Access

## CONTENTS

- Overview ..... 2
- Pool Lifts ..... 4
- LiftOperator ..... 15
- Covers & Accessories ..... 16
- Motor Assembly ..... 18
- Lift Setback Chart ..... 19

The water provides therapeutic benefits that enhance quality of life outside the pool. We believe these benefits should be available to everyone, and offer a full line of third-party tested and verified ADA compliant pool lifts to help ensure everyone can get in and out of the pool safely.

### PRODUCTS FOR EVERY POOL

S.R.Smith accessibility products range from the Mobile Aquatic Chair (MAC) to a wide range of fixed pool lifts — both anchored and portable. Our pool lifts come in a variety of styles including Hi/Lo models for facilities with in-ground pools and raised spas, as well as Extended Reach models for pools with parapet or wide gutter configurations.

### THE STANDARD ON ALL ADA COMPLIANT MODELS

- 5 Year Structural Warranty
- Fully rotomolded seat with integrated armrests
- LiftOperator® Intelligent Control
- Water-resistant user hand control
- 24 volt rechargeable battery, charger & cover
- Seat belt & footrest



### ONLINE ACCESS ACADEMY

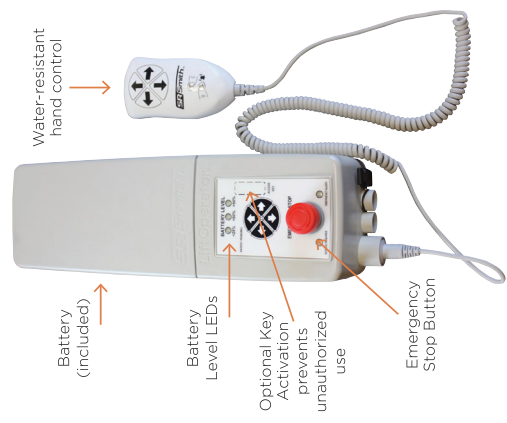
Learn more about ADA swimming pool compliance and become a certified Swimming Pool Accessibility Specialist through the S.R.Smith FREE, online Access Academy.

Visit [poollifts.com](http://poollifts.com)

### LiftOperator® Intelligent Control

A standard feature with all S.R.Smith pool lifts, the LiftOperator® is the most technologically advanced pool lift control on the market.

- Emergency button stops the lift mid-cycle
- Audible safety alert can signal facility personnel
- Internal memory stores usage data that can be uploaded for analysis
- PAL, PAL2, aXs2 and Splash! Series feature four directional control



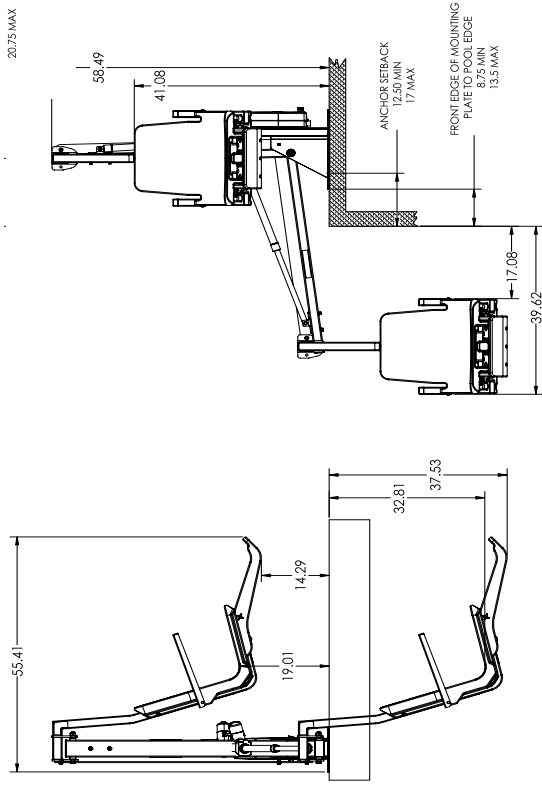
### SELECTING THE RIGHT LIFT

It is important to take several accurate pool or spa measurements and the required setback on a standard pool deck to help with pool lift selection (see page 19). Recording these precise measurements in S.R.Smith's online Pool Lift Configurator prior to placing your order is required. This deck profile will help ensure the lift selected will function properly, and is ADA compliant.

Use the Pool Lift setback information (page 19) in conjunction with a Pool or Spa Deck Profile configurator at

[srsmith.com/configurators](http://srsmith.com/configurators)





# multiLift™ 2

The multiLift2 with its field reversible seating design brings increased performance and flexibility to our best selling flange mount series.

- Field reversible seat with integrated armrests
- Rotomolded seat and footrest
- Powder-coated stainless steel and aluminum construction
- 350 lb/159kg lifting capacity
- Retrofit anchor jig is standard
- LiftOperator® Intelligent Controller
- California CEC Compliant
- Third-party tested and verified ADA compliant
- Made in the USA



Part #	Description	Shipping
580-0000	multiLift2, Gray Mist	
580-0000-ST	multiLift2, Slate	Box 1
580-0000-TP	multiLift2, Taupe	100 lbs 60.5"L x 24.25"W x 18.5"H
580-0000N	multiLift2 w/o anchor, Gray Mist	Box 2
580-0000N-ST	multiLift2 w/o anchor, Slate	40 lbs 24" x 24" x 30"
580-0000N-TP	multiLift2 w/o anchor, Taupe	

Includes battery, charger, battery console cover, water-resistant hand control, footrest, seat belt assembly, armrests and retrofit anchor jig.

## COLORS



Due to printing technology, actual color may differ.

## PARTS & ACCESSORIES

- 1001495 Battery
- 1001601 Hand Control
- 300-6700A Anchors, set of 4
- 300-6800A Anchor Bolts, set of 4
- 300-6900 Retrofit Anchor Jig
- 500-5800T MultiLift2 Cover, Tan
- 500-5800S MultiLift2 Cover, Slate
- 900-1000 Seat Belt
- 970-5000T Seat Saver Cover
- 900-6000 Stability Strap
- 910-1000T LiftOperator Cover, Tan
- 910-1000S LiftOperator Cover, Slate
- 170-3000A Armrest Replacement (pair) Gray Mist
- 170-3000A-TP Armrest Replacement (pair) Taupe
- 170-3000A-ST Armrest Replacement (pair) Slate

## New Construction Guidelines

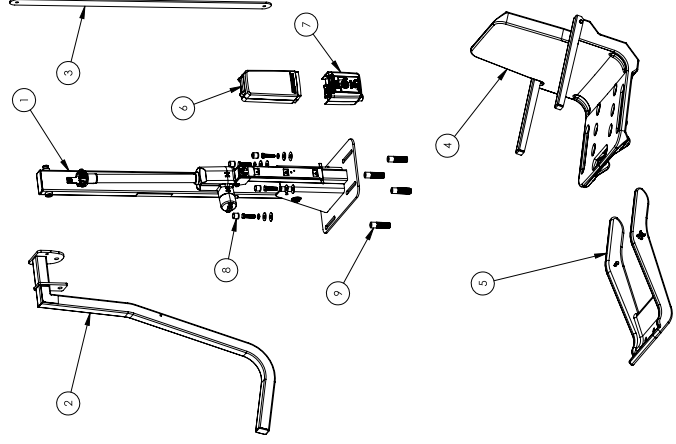
Scenario	Pool Lift	Anchor Jig to Order
Order a Pool Lift and new construction jig at the same time	580-0000- <b>X</b>	500-5000 (no anchors)
Order a new construction jig ahead of pool lift	580-0000N- <b>X</b>	500-5000A (anchors included)

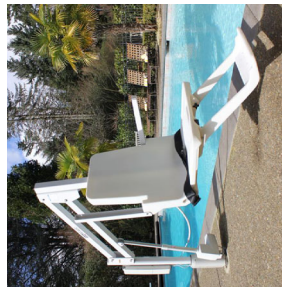
\*Replace **X** listed above with the color



New Construction Jig with Anchors 580-5000A

Key	Part No.	Description
1	580-1100	multiLift2 Base Assembly
2	580-1200A	multiLift2 Seat Arm
3	580-1300A	multiLift2 Leveling Arm
4	160-9200	Seat Assembly
5	160-2700A	Foot Rest w/ Hardware
6	1001495	Battery Assembly
7	1001518	Controller Unit w/ 2 Button
8	300-6700	Flush Deck Anchor
9	300-6800A	Deck Anchor Hardware





## aXs2 Pool Lift

The aXs2 is a low profile pool lift that is an ideal access solution for community and hospitality swimming pools.

- 3rd party tested and verified ADA compliant
- Compact design requires minimal deck space
- 300 lb/136kg lifting capacity
- 360° rotation for transfer safety and flexibility
- Integrated armrests
- Sturdy and generous rotomolded seat
- LiftOperator® Intelligent Controller with 24V battery
- Full range of operation from handset and control box
- Conveniently ships in two boxes



### LIFT COLOR



Due to printing technology actual color may differ.

### CADDY

aXs2 Caddy only available with pool lift purchase and ships in Box 3



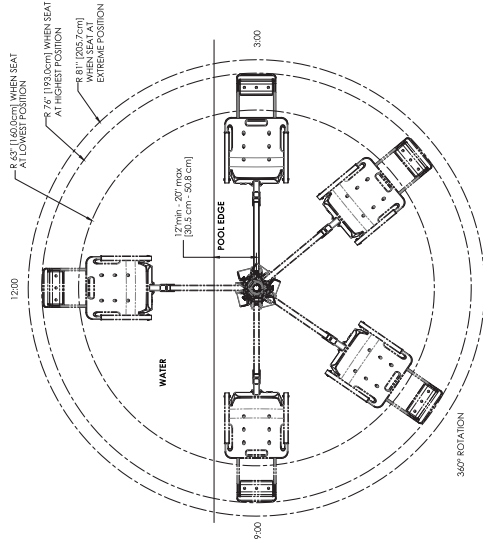
### LIFTLOCK2

Locking anchor secures lift to deck

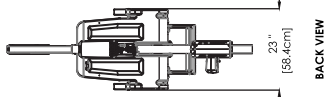


### PARTS & ACCESSORIES

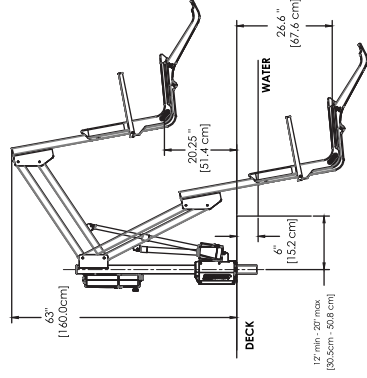
- 1001495 LiftOperator Battery
- 900-6000 Stability Strap
- 900-1000 Seat Belt
- 970-5000T Seat Saver Cover
- 300-6200-2L LiftLock2 Anchor Replacement Cap
- 170-3000A Armrest Replacement (pair)
- AX9006 Cover
- 1001600 Hand Control



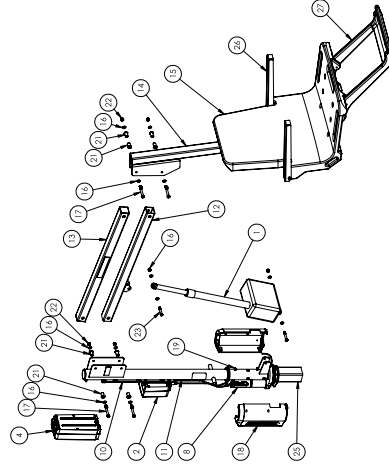
TOP VIEW - RANGE OF MOTION



BACK VIEW



SIDE VIEW



Key	Part No.	Description
1	100-5000A	LA34 Actuator
2	400-7000AX	4 Button Controller
3	120-1920	Actuator Cable Assembly (not shown)
4	1001495	Battery Pack
5	1001530	Battery Charger (not shown)
6	1001600	Hand Control (not shown)
7	160-8530	Hand Control Hanger (on back of seat)
8	120-2100A	24VDC Motor
9	120-1910	Motor Cable Assembly (not shown)
10	1001498	Battery Bracket
11	310-1000A	Mast Assembly
12	310-1200A	Actuator Arm Assembly
13	310-1300A	Support Arm Assembly
14	160-9520	Seat Frame Arm
15	160-9200	Seat Assembly, 1 PC w/ Standard Footrest
16	800-0313	Washer, Flat 1/8"
17	800-2027	Screw, Hex Hd - 3/8" x 3.25 L
18	800-3000A	aXs2 Motor Enclosure Assembly
19	800-0330	Screw, Self-Threading #4-20 x 1/2 L
20	900-1000	aXs Seat Belt Assembly (Black) (not shown)
21	800-0318	Bushing, Ollite
22	800-2000	3/8"-16 Nylon Nut
23	800-0147	Screw, 3/8" x 16 x 2.5" L
25	AX3700-1	Spindle Housing Assembly
26	170-3000A	Arm Rest Assembly (Pair)
27	160-2300A	Footrest Kit (Gray)
28	800-0304	Screw, Hex Hd - 3/8" x 4.0" L
29	800-0310	Washer, Flat - 1/8"
30	800-0202	Acorn Nut, 3/8"
31	910-1000T	Console Cover (not shown)

Part #	Description	Shipping   Class 85   2 Boxes	Weight	Length	Width	Height
310-0000	aXs2, Gray Mist	102 lbs	55"	19"	14"	
310-0000-ST	aXs2, Slate	46kg	140cm	48cm	36cm	
310-0000-TP	aXs2, Taupe	36 lbs	24"	24"	27"	
310-0000N-ST	aXs2 without anchor, Gray Mist	16kg	61cm	61cm	69cm	
310-0000N-TP	aXs2 without anchor, Taupe	50 lbs	30"	20"	57"	
310-0000R*	aXs2 Round Post, without anchor, Gray Mist	23kg	76cm	51cm	145cm	
310-0000R-ST*	aXs2 Round Post, without anchor, Slate					
310-0000R-TP*	aXs2 Round Post, without anchor, Taupe					

### aXs2 with Caddy

Part #	Description	Shipping   Class 85   3 Boxes	Weight	Length	Width	Height
310-0000C	aXs2 with Caddy, Gray Mist	102 lbs	55"	19"	14"	
310-0000C-ST	aXs2 with Caddy, Slate	46kg	140cm	48cm	36cm	
310-0000C-TP	aXs2 with Caddy, Taupe	36 lbs	24"	24"	27"	
310-0000CN	aXs2 with Caddy, without anchor, Gray Mist	16kg	61cm	61cm	69cm	
310-0000CN-ST	aXs2 with Caddy, without anchor, Slate	50 lbs	30"	20"	57"	
310-0000CN-TP	aXs2 with Caddy, without anchor, Taupe	23kg	76cm	51cm	145cm	

Includes battery, charger, battery console cover, water resistant hand control, LiftLock2 stainless steel anchor socket with cover, footrest, armrests and seat belt assembly

\*Designed to fit in an existing round anchor with dimensions 2.38" ID x 6" deep

# PAL2



## LIFT COLOR

GRAY MIST

Due to printing technology actual color may differ.

The fixed portable PAL2 pool lift features a sleek, modern design and attractive matte finish. It comes standard with our Secure-It Kit which allows the lift to be fixed to the deck.

- Third-party tested and verified ADA compliant
- Integrated armrests
- State of California compliant
- 300 lb/136kg lifting capacity
- Easy to move by one person
- LiftOperator® Intelligent Controller
- 240° rotation helps ensure safe transfer
- Powder-coated stainless steel and aluminum construction



Part No.	Description	Weight	Length	Width	Height
202-0000	PAL2	1200 lbs 544 kg	40" 102cm	48" 122cm	60" 152cm
252-0000	PAL2 Hi/Lo				

Includes battery, charger, battery console cover, water-resistant hand control, footrest, seatbelt assembly, armrests, and Secure-It Kit

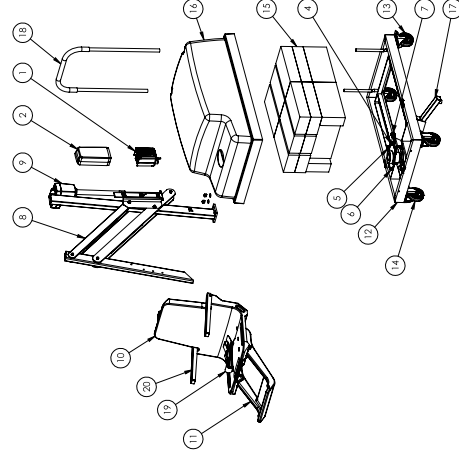
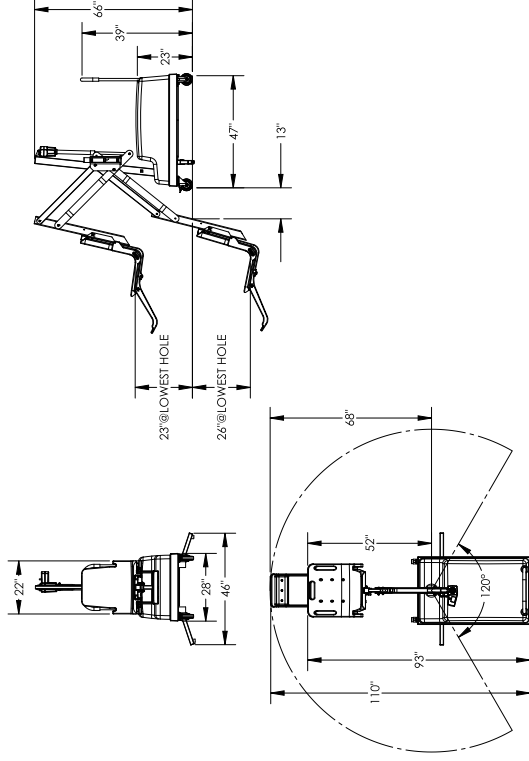
## PAL2 VARIATION

- Hi/Lo - A variation of the PAL2 useful for facilities that have both in-ground pools and raised spas.

## SECURE-IT KIT

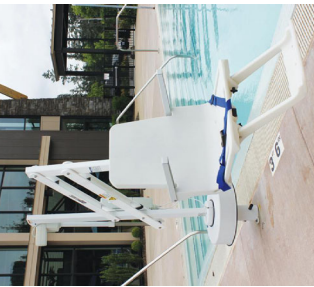


200-1090A



Key	Part No.	Description
1	400-7000	4 Button Control
2	100I495	Battery Pack
3	100I530	Battery Charger (Not Shown)
4	120-1100	24V Motor
5	800-5065	Small Gear
6	130-1000	Hub Assembly
7	120-1000	Motor Mount Assembly
8	152-1100A	Gray, Mast. Assembly
9	100-5000A	LA34 Actuator
10	160-8000A	Gray, Seat Assembly
11	160-2700A	Gray, Foot Rest w/Hardware
12	202-2000	PAL2 Main Frame Assembly
13	200-2000	Rigid Caster
14	200-3000	Swivel Caster
15	220-3100	Concrete Block, PAL2
16	202-6000	PAL2 Housing Assembly
17	200-4100	Stabilizer Assembly
18	202-7000	Gray, PAL2 Handle
19	900-1000	Seat Belt Assembly
20	170-3000A	Gray, Armrest. (Pair)
21	910-1000T	Console Cover (not shown)

# Splash!™ Series



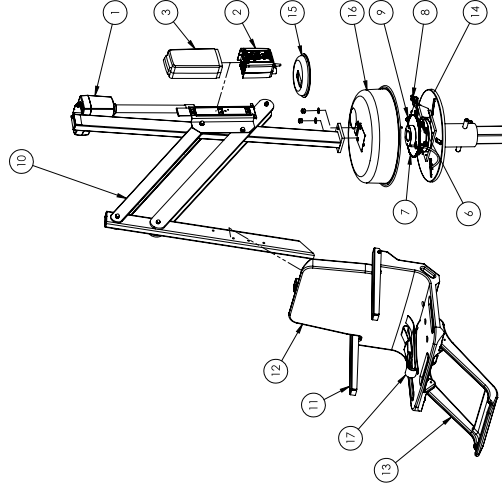
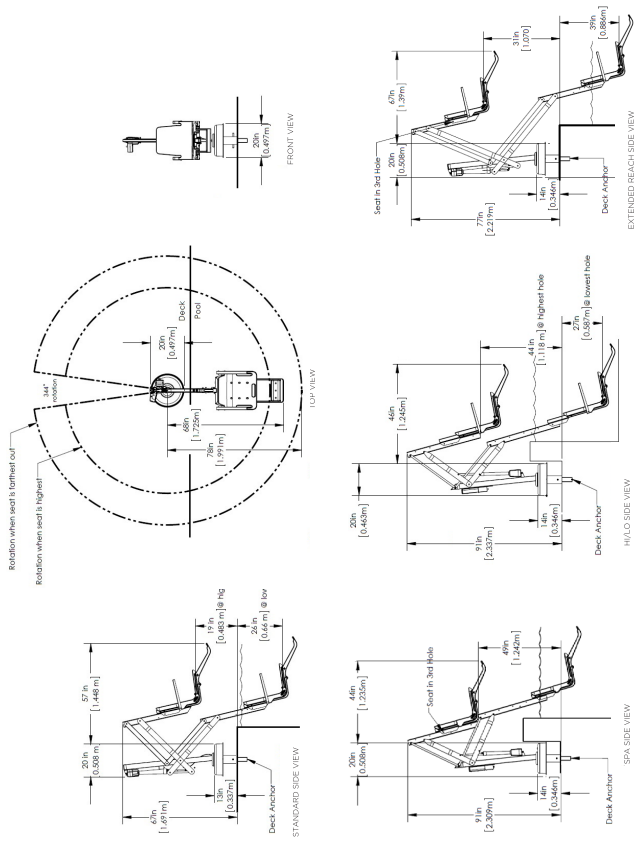
## LIFT COLOR

GRAY MIST

Due to printing technology actual color may differ.

This fixed lifting system is designed for swimming facilities seeking to provide user-friendly access to their swimming pools.

- Third-party tested and verified ADA compliant
- Integrated armrests
- State of California compliant
- 400 lb/181.5 kg lifting capacity\*
- LiftOperator™ Intelligent Controller
- 34.4° rotation helps ensure a safe transfer area
- Powder-coated stainless steel and aluminum construction
- Lifting capacity of Extended Reach models are 300 lb/136 kg



Key	Part No.	Description
1	100-5000A	LA34 Actuator
2	400-7000	4 Button Control Unit
3	1001495	Battery Pack
4	1001630	Battery Charger (not shown)
5	1001600	Hand Control (not shown)
6	120-1100	24V Motor
7	135-1000	Hub Assembly
8	120-1000	Motor Mount Assembly
9	800-5065	Small Gear
10	150-1100A	Mast Assembly
11	150-1400A	Seat Arm
12	160-8000A	Seat Assembly
13	160-2300A	Foot Rest
14	300-1100-G	Splash! Base Assembly
15	300-5200A	Mast Collar
16	300-5000A	Splash! Housing
17	900-1000	Seat Belt
18	910-1000T	Console Cover (not shown)

Part No.	Description	Weight	Length	Width	Height
300-0000	Splash!				
350-0000	Splash! Hi/Lo				
375-0000	Splash! Spa	280 lbs 127kg	40"	48"	60"
300-3000	Splash! 300*		102cm	122cm	152cm
350-3000	Splash! 300 Hi/Lo*				
375-3000	Splash! 300 Spa*				
370-0000	Splash! Extended Reach**	335 lbs 152kg	40"	48"	78"
385-0000	Splash! ER Hi/Lo*	305 lbs 138kg	40"	48"	88"
390-0000	Splash! Package includes mast cover and caddy	275 lbs 125kg	40"	48"	78"
390-2000	Splash! ER Package includes mist cover and caddy	390 lbs 177kg	40"	48"	78"

Shipping | Class 85

Includes battery, charger, battery console cover, water resistant hand control, stainless steel anchor socket with cover, footrest, seat belt assembly and armrests.

To order without an anchor add an N to end of part number

- Splash! 300 offers easier core drilling installation and no additional footings required on a standard 4" reinforced deck
- \* Lifting capacity of Extended Reach models are 300 lb/136 kg

## PARTS & ACCESSORIES

- 1001495 Battery
- 400-0000 Caddy
- 500-1000 Spineboard Attachment
- 900-6000 Stability Strap
- 920-5000T Cover
- 970-5000T Seat Saver Cover
- 900-1000 Seat Belt
- 170-3000A Armrest Replacement (pair)
- 1001600 Hand Control



# Splash! Round Post

This fixed anchored lifting system can be installed in an existing round anchor.

- 3rd party tested and verified ADA compliant
- Integrated armrests
- State of California compliant
- 300 lb/159kg lifting capacity
- Easily removable from stainless steel deck anchor
- Secure-It Kit™ keeps the lift from rotating in the anchor socket
- LiftOperator® Intelligent Controller
- True operational redundancy – lift can be operated from the control box and the handset
- 34.4° rotation ensures a safe transfer area
- Made from powder-coated stainless steel and aluminum
- Adapters available.

For additional anchor sizes – see table to the lower left



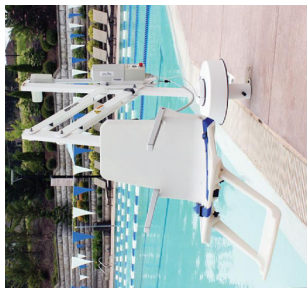
Part No.	Description	Weight	Length	Width	Shipping   Class 85	Height
300-0000R	Splash! ER Hi/Lo	280 lbs 127kg	48" 122cm	40" 102cm	60"	152cm
390-0000R	Splash! Round Post Package*	390 lbs 177kg	48" 122cm	40" 102cm	78"	198cm

Includes battery, charger, battery console cover, water resistant hand control, footrest, seat belt assembly, armrests and Secure-It-Kit.

\* Package includes mast cover and caddy

## PARTS & ACCESSORIES

- 1001495 Battery
- 400-0000 Caddy
- 500-1000 Spineboard Attachment
- 900-6000 Stability Strap
- 920-5000T Cover
- 970-5000T Seat Saver Cover
- 900-1000 Seat Belt
- 170-3000A Armrest Replacement (pair)
- 1001600 Hand Control



## LIFT COLOR



GRAY MIST

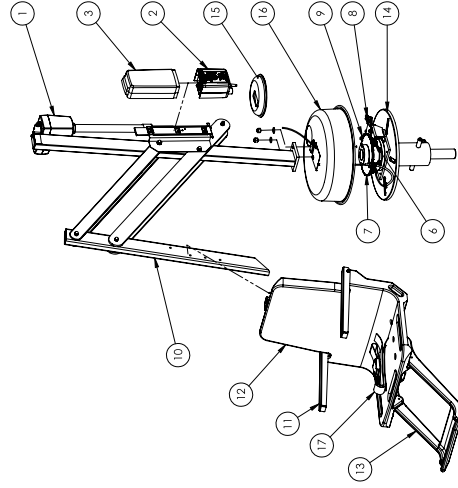
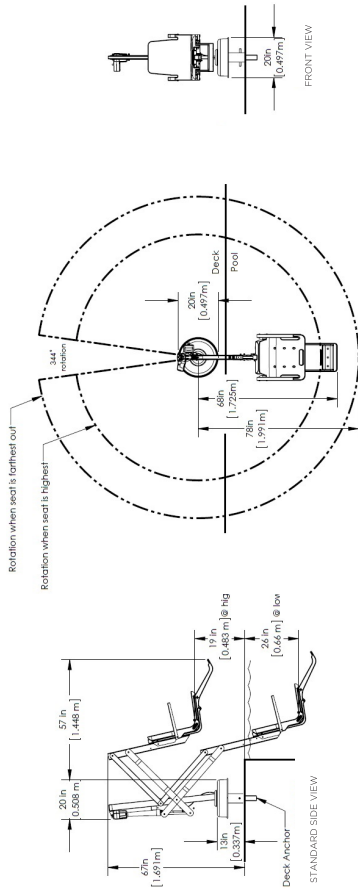
Due to printing technology actual color may differ.

## SECURE-IT KIT



## SPLASH! ROUND POST ANCHOR ADAPTER

Model No.	Anchor Size
300-6210	2 3/8"
300-6220	2 1/2"
300-6230	2 9/16"



Key	Part No.	Description
1	100-5000A	LA34 Actuator
2	400-7000	4 Button Control Unit
3	1001495	Battery Pack
4	1001530	Battery Charger (not shown)
5	1001600	Hand Control (not shown)
6	120-1100	24V Motor
7	135-1000	Hub Assembly
8	120-1000	Motor Mount Assembly
9	800-5065	Small Gear
10	150-1100A	Mast Assembly
11	150-1400A	Seat Arm
12	160-8000A	Seat Assembly
13	160-2300A	Foot Rest
14	300-1100-G	Splash! Base Assembly
15	300-5200A	Mast Collar
16	300-5000A	Splash! Housing
17	900-1000	Seat Belt
18	910-1000T	Console Cover (not shown)

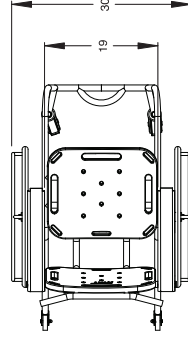
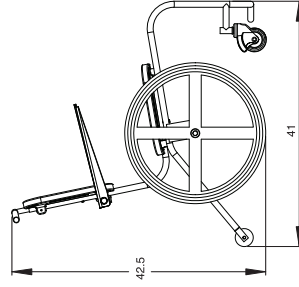
# Mobile Aquatic Chair (MAC)



Mobile Aquatic Chairs (MAC) are essential for facilities utilizing a ramp, zero-depth entry or movable floor. The MAC is built specifically for use in aquatic environments, and with proper maintenance will look great for years to come.

- Rear stabilizing wheels provide increased stability when the chair is in the water
- Unibody frame construction for increased durability
- Arm rests flip up for easy transfer on and off the chair
- Powder-coated stainless steel frame resists corrosion
- 18" (46 cm) sturdy, rotomolded plastic seat provides safe transfer support
- 300 lb/136kg weight capacity

Part No.	Description	Shipping   Class 85			
		Weight	Length	Width	Height
AC0000	MAC (Mobile Aquatic Chair)	100 lbs 45kg	43" 109cm	25" 64cm	22" 56cm

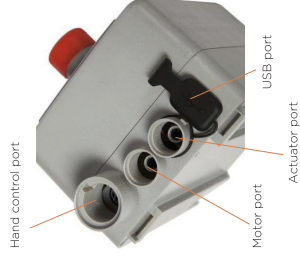
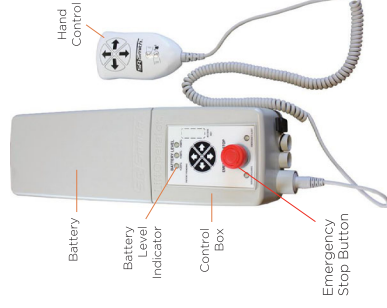


Seat is 15" deep and 18" wide

# LiftOperator® Intelligent Control

A standard feature with all S.R.Smith ADA compliant pool lifts, the LiftOperator is the most technologically advanced pool lift control on the market.

- Emergency stop button sounds an audible alarm and can stop the lift
- Bright LED color-coded indicator shows battery life
- Service notification light meets ADA guidelines for scheduled maintenance, promoting regular service checks (based on 3-4 months average usage)
- USB port transfers usage data to a USB memory stick for review on PC



Part No.	Description	Shipping			
		Weight	Length	Width	Height
400-7000-BC*	CEC LiftOperator, 4-Button				
400-7000	4-Button Control Box*				
400-7000AX	aXs2 4-Button Control Box	5 lbs	16"	5"	5"
400-7000AX-BC	aXs2 4-Button Control Box	2.5kg	40.6cm	12.7cm	12.7cm
400-7001	2-Button Replacement Kit				
400-7001-BC	2-Button Replacement Kit BC Version				

\*4-Button control for PAL2, Splash! and aXs2 lifts

## COMPONENTS, ACCESSORIES & UPGRADE KITS

Part No.	Description
1001495-BC*	CEC 24-Volt Battery (2018 California & Oregon compliant)
1001530	Standard Battery Charger
1001530-BC*	CEC Battery Charger (2018 California & Oregon compliant, BC Marked)
1001540	2-Button Control Assembly Kit (multiLift)
1001550	4-Button LiftOperator Upgrade (LINAK to LiftOperator)
1001550-BC	CEC 4-Button LiftOperator Upgrade (LINAK to LiftOperator) BC, Oregon and California Compliant
910-1000	LiftOperator Cover, tan

\*As of 1/02/2018, all new pool lift orders into California feature LiftOperators with California compliant (CEC) battery charging systems. Customers in California with LiftOperator control boxes, batteries and battery charging systems are not compatible with the standard LiftOperator units. Customers in California will be required to provide the serial number of their pool lift when ordering replacement LiftOperator components. For more information, please visit [srmith.com/CEC2018](http://srmith.com/CEC2018).

On 6/13/2018 all new lifts shipping to Oregon were BC compliant. Any lift operator components that are ordered shipping to Oregon are also placed on hold and need serial numbers off pool lift to release. Effective 1/1/2022, to be compliant in Oregon and California, all one-assist lifts with Link battery systems will be required to upgrade to the lift operator BC system. Contact Customer Service for more info at 800.824.4387.

Upgrade Kits – from LINAK to LiftOperator: Upgrade Kit includes: Mounting Plate, Lock, Battery, Charger and LiftOperator Control Unit. Hand Control sold separately



# Pool Lift Covers & Accessories

Protect your investment with all-weather covers. Also available is a Seat Saver cover, which may provide a visual deterrent from unauthorized use.



**PAL2**  
920-5000T



**Splash! & aXs2**  
970-5000T, AX9006



**Seat Saver**  
970-5000T

**Splash! Mast**  
940-1100T

\*To order together use 970-5100T



**LiftOperator® Control Box Cover**  
Protective cover fits all S.R. Smith lift control boxes.  
910-1000T - Taupe  
910-1000S - Slate

## POOL LIFT COVERS

	PAL2	Splash! Series	multiLift2	aXs2
500-5800T			■	
500-5800S			■	
920-5000T	■			
AX9006				■
970-5100T		■		
970-5000T	■			■
940-1100T				■

## BATTERY

All pool lifts are powered by a 24 volt, rechargeable battery, which should be left on the charger when not in use.

1001495-BC  
1001495-BC



As of 1/2/2018, all new pool lift orders into California feature LiftOperators with California Energy Commission (CEC) compliant battery charging systems. The 2018 CEC compliant LiftOperator control boxes, batteries and charging systems are not available for purchase in California. Please contact your local distributor or call us to provide the serial number of their pool lift when ordering replacement LiftOperator components.

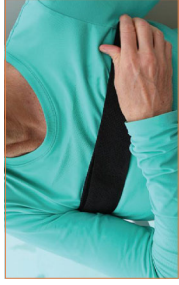
On 6/13/2018 all new lifts shipping to Oregon were BC placed. Any lift operator components that are ordered shipping to Oregon are also placed on hold and need serial numbers off pool lift to release.

Effective 1/1/2022, to be compliant in Oregon and California, all pre-existing lifts with Linkak battery systems will be required to up-grade to the lift operator BC system. Contact Customer Service for more info at 800.824.4387.

## ACCESSORIES FOR ORIGINAL POOL LIFT MODELS\* (prior to fully rotomolded seat models introduced in 2016)

Seat Saver Cover (Blue)	970-0000
Splash! Seat Saver/Mast Cover (Blue)	970-1100
multiLift Folding Seat Cover	970-5000T
Stability Vest	900-2000
Seat Pad	900-4000
<b>Optional Flip-up Armrests</b>	
PAL, Splash!, multiLift, ML300	170-1000
aXs, PAL2	170-2320

\* These products are only compatible with the older seat style.



## STABILITY STRAP

Designed to secure individuals with limited independent upper body or trunk stability.

900-6000



## SPINE BOARD ATTACHMENT

Supports any standard spine board (not included). Not available with aXs2.

500-1000



## POOL LIFT SIGNS

9" x 12" metal sign  
Pool Lift Available: 900-5000  
Warning Sign: 900-5100A

## CADDIES

Facilitates handling and transporting a Splash! or aXs2 lift (aXs2 caddy not sold separately).

Splash! 400-0000

aXs2 310-0000C or 310-0000CN



Splash!

aXs2

caddy not sold separately

## LIFTL0CK2 ANCHOR

Locking, square deck anchor for Splash! and aXs2 models ensures a smoother ride, and meets the ADA "fixed" pool lift requirement.



Anchor

300-6600L

Replacement Cap 300-6600C



200-1090A



300-1090A

## SECURE-IT KITS

Quickly and easily secures pool lift to the deck per the ADA "fixed" pool lift requirement.

- PAL2 kit offers the flexibility of being easily removed from the deck.
- Splash! kit is for use with the Splash! Round Post only, and prevents the lift from rotating in the anchor socket.

PAL2 Secure-It Kit 200-1090A

Splash! Round Post 300-1090A

Secure-It Kit

## LIFTOPERATOR® HAND CONTROLS

Ergonomically designed, water resistant hand control for all pool lift models with the LiftOperator Control.

2-Button Control 1001601

for multiLift2 and ML300

2-Button Control 1001540

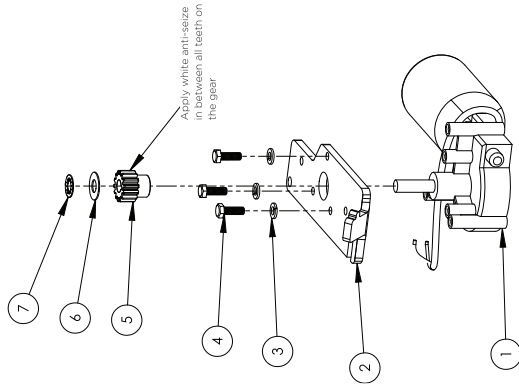
for multiLift

4-Button Control 1001600

for PAL2, Splash! and aXs2



## PAL2, and Splash! Motor Assembly

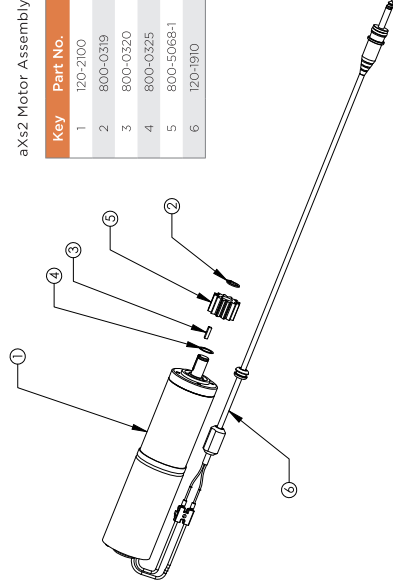


Key	Part No.	Description
1	120-1000	Motor Assembly, Complete (includes items 1 - 7)
2	120-1100	24V Motor Assembly
3	120-1200	Motor Plate
4	5-149	1/4" Lock Washer S/S
5	800-2025	6mm x 1 x 20mm Long Cap Screw
6	800-5065	Small Spur Gear, Plated
7	05-32-111	3/8" Nylon Washer

## aXs2 Motor Assembly

aXs2 Motor Assembly 120-2100A (Includes all parts below)

Key	Part No.	Description
1	120-2100	Motor Gearhead - 1936 52mm Dia.
2	800-0319	Retaining Ring, 12mm x 1.0 thk
3	800-0320	Shaft Key, 1/8 x 1/8 x .50L
4	800-0325	Shim, .473 ID Dia x .616 OD Dia x .016 T
5	800-5068-1	Gear Pinion - 1000 PD, 12 T, .75 FW, 20° PA
6	120-1910	Cable Assembly, Motor Power



Access S.R.Smith's comprehensive library of pool lift troubleshooting videos under Help & Support at [srmith.com](http://srmith.com)



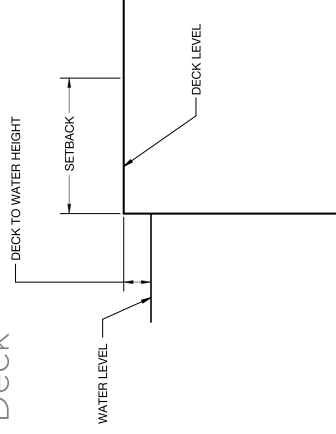
## Pool Lift Setback Chart

The chart below is provided to help determine the required setback for the various lifts on a standard pool deck. This information is in conjunction with the Pool and Spa Lift Deck Profile sheets that you can find online at [srmith.com/configurators](http://srmith.com/configurators) and allows for quick determination of the pool lift that will work for your application.

Deck To Water Level	0"	2"	4"	6"	8"	10"	12"
PAL2	16" - 24"	16" - 24"	16" - 22"	16" - 18"	16" - 18"	16"	16"
Splash!/Splash! 300	16" - 29"	16" - 28"	16" - 26"	16" - 26"	16" - 24"	16" - 24"	16" - 20"
Splash!/Splash! 300 Hi-Lo*	16" - 34"	16" - 32"	16" - 30"	16" - 28"	16" - 26"	16" - 26"	16" - 22"
Splash! ER*	16" - 46"	16" - 44"	16" - 44"	16" - 44"	16" - 42"	16" - 40"	16" - 38"
Splash! ER Hi-Lo*	16" - 50"	16" - 49"	16" - 49"	16" - 49"	16" - 48"	16" - 47"	16" - 47"
aXs2*	12" - 31"	12" - 29"	12" - 26"	12" - 24"	12" - 20"	N/A	N/A
multiLift2	12.5"-17"	12.5"-17"	12.5"-17"	12.5"-17"	12.5"	N/A	N/A

\*Set-back from pool wall or end of bullnose (bullnose coping) to center of anchor

## Standard Deck



## Summary of ADA Requirements

- Water depth at point of lift entry is no more than 48"
- When over the deck, the center line of seat is at least 16" from the edge of pool
- There is a 36" x 48" area of clear deck space on the side of the seat opposite the pool
- Seat surface is 16"-19" from deck when in ready position.
- In the loading area, the slope of the deck is no greater than 1:48
- Seat is at least 16" wide
- There are footrests that move with the seat
- Armrests (optional) are removable or fold clear of the seat to allow user to easily load the lift
- The lift is user operable from both the deck and water
- The seat submerges at least 18" into the water
- Lift capacity is at least 300 lbs/136kg



Pool Better™



A Fluidra Brand | [srsmith.com](http://srsmith.com) | 800.824.4387

No part of this may be copied or reproduced without the expressed written consent of S.R.Smith, LLC

©Copyright 2022 S.R.Smith, LLC. All rights reserved. | M-E-BRO-87 5M 1022