

NORTHFIELD™ RADIANT MV

CAST IRON GAS STOVE



Introducing the Northfield Radiant MV, the smallest model in Lopi's new line of moderately priced Standing Pilot Millivolt cast iron gas stoves.

The Northfield Radiant MV is a full cast iron stove designed to heat your home using both natural convection and radiant heat offering a high efficiency heater for small living spaces. With the Northfield MV you get great heat for less money; that's more features and benefits than any other moderately priced small gas stove available, making it both a beautiful and economical way to heat your home.

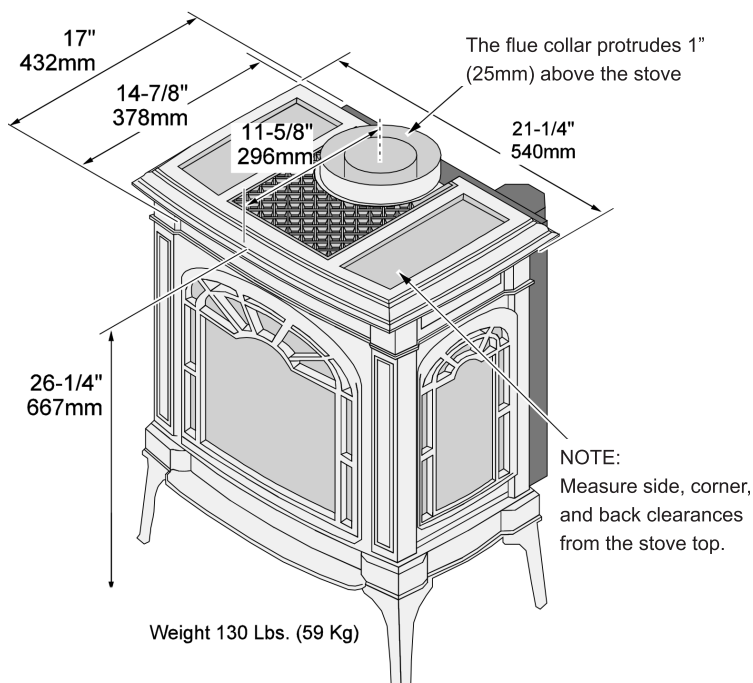
Standard controls on the unit make it easy to operate, or for further convenience you can add a remote control with On/Off and Thermostat functions. A 130 CFM fan is available to deliver convection air to your home more efficiently.

The Northfield MV's small size makes it perfect for almost any room in the house, so no matter which room you decide on it is sure to add value, beauty and comfort to your home.

FEATURES YOU'RE GOING TO LOVE

- Standing Pilot Millivolt system does not require power to operate, making this stove a reliable heat source, even during power outages!
- Elegant design with exquisite cast iron construction.
- The Dancing-Fyre™ burner and Classic Log Set are incredibly realistic and mimic an actual wood burning fire, right down to the flame pattern, highly detailed logs and glowing ember bed.
- This stove features a direct vent system. All combustion air is drawn from outside your home, and all combustion byproducts are then vented out of your home through the coaxial chimney.
- Heavy duty steel (14 & 16 gauge) construction offers years and years of dependable heat.
- High-temperature ceramic glass.
- Easy to operate controls.

NORTHFIELD™ RADIANT MV CAST IRON GAS STOVE



The information on this page is for reference ONLY! Installation information is available through your Lopi dealer or through the Lopi website at www.lopistoves.com.

SPECIFICATIONS:

• Maximum BTU Input per Hour	22,000 (NG & LP)
• Minimum BTU Input per Hour	12,500 (NG & LP)
• Heating Capacity*	Up to 850 sq. ft.
• Canadian P.4.1 Efficiency	Up to 56.37% NG Up to 57.02% LP
• Steady State Efficiency (High)	Up to 70.19% (NG) Up to 69.47% (LP)
• Weight	130 Lbs (97 Kg)
• Glass Viewing Area	12-1/2" H x 13-3/4" W (172 sq. in.)

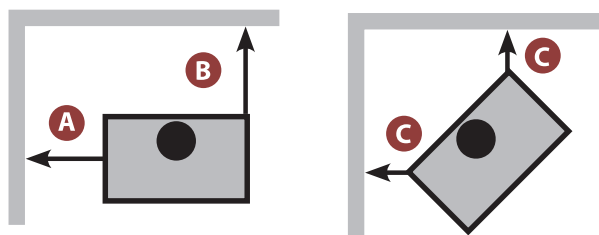
*Heating Capacity can be affected by negative pressure in the home and by prevailing atmospheric conditions. Contact local building or fire officials about restrictions and installation requirements in your area.

OPTIONS:

- 130 CFM convection fan designed to enhance the transfer of heated air throughout the room.
- Wall mounted Basic Remote with ON/OFF and thermostat functions.
- Wired Wall Timer with basic on/off function can be set in 30 minute increments up to two hours.

CLEARANCES TO COMBUSTIBLES

All measurements are to be taken from the stove top to combustible walls.

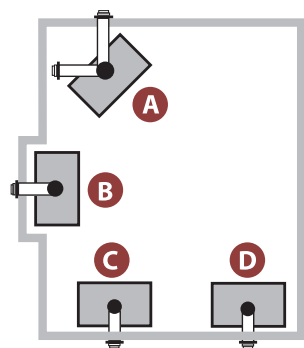


- A - Stove to Sidewall 3-1/2" (89mm)
- B - Stove to Backwall 5" (127mm)
- C - Stove to Corner 1" (25mm)

For straight wall installations the vent is centered 7-1/8" from backwall.
For corner installations the vent is centered 15-3/4" from the wall.

LOCATION OPTIONS WITH DIRECT VENT SYSTEM

Direct Venting System provides for horizontal or vertical venting through the outside wall or ceiling, allowing you to install your stove virtually anywhere in the room. Horizontal venting must rise at least 2' (NG) and 3' (LP) above stove top before elbowing.



You can install your stove in any of these configurations:

- A - Cross Corner
- B - Flat with Wall/Alcove
- C - Flat on Wall Corner
- D - Flat on Wall

Where would you like the stove to go in your home?

HEARTH PAD:

A non-combustible hearth pad is required when the stove is installed directly on carpeting, vinyl or combustible flooring other than wood.

No hearth pad is required if the stove is installed on non-combustible flooring (tile, stone, brick) or if installed on a wood or wood laminate floor.

Your Authorized Lopi Dealer Is Located At:



www.lopistoves.com

Manufactured by
Travis Industries, Inc.
Mukilteo, WA

