



NÔRDIK SERIES

GAS INSERTS

KOZY  HEAT
FIREPLACES



Nordik 34i with black brick refractory, antique copper screen front and a shroud





Nordik 29i with black glass panels, black rectangle screen front and a shroud



Nordik 29i with black brick refractory, prairie screen front and a shroud

NÔRDIK SERIES

Fronts

Sizes shown below: Nordik 34i / Nordik 29i



Rectangle Screen Front
With Black Brick refractory
Available in Black, Antique Copper, Brushed Nickel



Antique Copper Rectangle Screen Front
With Ledgestone refractory
Available in Black, Antique Copper, Brushed Nickel



Brushed Nickel Rectangle Screen Front
With Black Brick refractory
Available in Black, Antique Copper, Brushed Nickel



Prairie Screen Front
with Chicago Brick refractory
Available in Black



Arched Prairie Full Door
with Herringbone Refractory
Available in Black



Arched Mission Screen Front
in Vintage Bronze with Black Glass Panels
Available in Vintage Bronze

NÔRDIK SERIES

Refractory/Panel Options



Black Glass



Ledgestone



Herringbone



Chicago Brick



Black Brick

NÔRDIK SERIES

Specifications

Model	Nordik 34i	Nordik 29i
Height	23-3/4"	19-7/8"
Width	33-7/8"	29-5/8"
Back Width	24"	20-1/16"
Depth	16-3/8"	16"
Weight	145 lbs	125 lbs
Viewing Area	30-11/16" x 22-1/4"	27-11/16" x 17-15/16"
BTU NG High / Low	40,000 / 20,000	32,000 / 17,000
BTU LP High / Low	40,000 / 21,000	32,000 / 17,000
ENERGUIDE P.4 NG / LP	69.57% / 69.53%	70.11% / 70.54%
Steady State NG / LP	70.95% / 71.08%	71.84% / 72.22%
AFUE % NG / LP	70.72% / 70.80%	71.56% / 72.15%
Valve System	Dexen IPI	Dexen IPI
Fan Kit	Included	Included
Top Light Kit	Included	Included
Ember Bed Light Kit	Included	Included
Screen Front	Required	Required

Features, Options & Specifications are subject to change.

Each unit factory tested

Certified to ANSI Z21.88 Vented Gas Heaters

Nordik 34i

Existing Fireplace Opening must be at least:

- Height: 23-3/4"
- Front Width: 34-1/8"
- Depth: 16-3/8"
- Back Width: 24-1/8"

Existing Chimney:

Inside Diameter:

- Factory built solid fuel chimney: 7" min
- Masonry Chimney: 6" x 8" min
- Minimum Chimney Height: 10'
- Maximum Chimney Height: 40'

Nordik 29i

Existing Fireplace Opening must be at least:

- Height: 20"
- Front Width: 29-3/4"
- Depth: 16"
- Back Width: 20-3/8"

Existing Chimney:

Inside Diameter:

- Factory built solid fuel chimney: 7" min
- Masonry Chimney: 6" x 8" min
- Minimum Chimney Height: 10'
- Maximum Chimney Height: 40'

Clearances

Model	Nordik 34i	Nordik 29i
Adjacent sidewall minimum clearance	4"	4"
Minimum clearance from the fireplace enclosure floor to ceiling	55"	55"
From the insert to the combustible floor in front	See Requirements in the manual	See Requirements in the manual
Non-Combustible Mantel 6" deep from the top of insert	6"	6"
Combustible Mantel 9" deep from the top of insert	10"	8-1/4"

Refer to the installation manuals for complete installation & venting requirements. See additional mantel clearance configurations in the installation manual.

Vent System Approval & Requirements

- Kozy Heat #816 & #816- CAP
- BDM™
- American Metal™ Products (Amerivent)
- Metal Fab™
- Olympia™
- ICC™
- Simpson Dura-Vent™
- Selkirk

Shroud Dimensions

*Shroud is Required for Installation

Nordik 34i

27" x 40"

30" x 44"

33" x 46"

Nordik 29i

25" x 38"

27-1/2" x 42"

30" x 44"

*Custom sizes available when applicable

Burn Videos



Nordik 34i



Nordik 29i

Control Option



Remote control features:

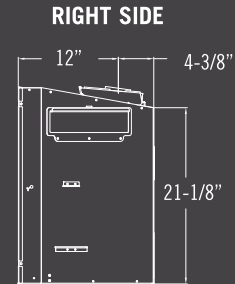
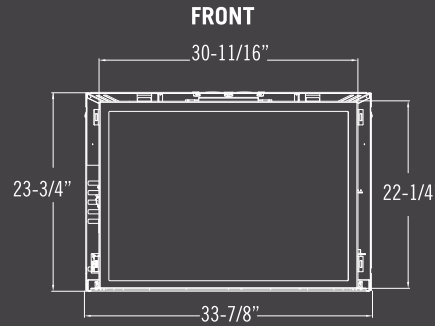
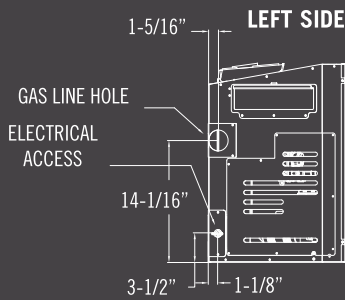
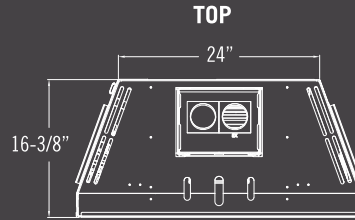
- Thermostat function
- Flame height modulation
- Fan speed modulation
- Top Light Kit: Modulation
Ember Bed: On/Off
- IPI to continuous pilot

NÔRDIK SERIES

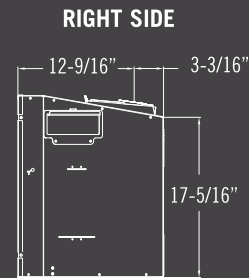
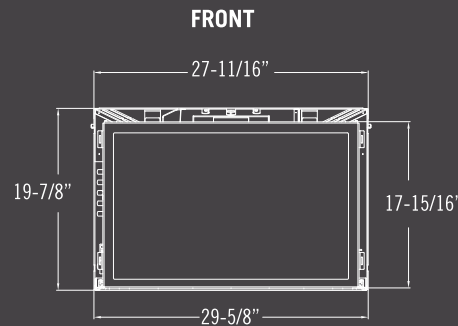
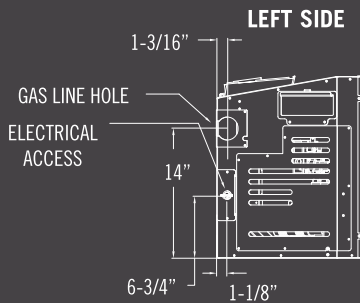
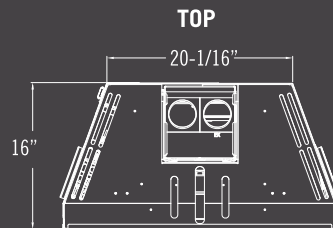
Specifications

Fireplace brochures are for advertising purposes only.
Refer to the specific fireplace manual for installation.

Nordik 34i



Nordik 29i



In order to continually provide the highest quality product available, features/options, specifications, & dimensions are subject to change. Flame appearance and characteristics may be affected by altitude, fuel type, venting configuration, and other factors. Refer to the unit installation manual for complete installation instructions. Installation must conform with local building codes. **In some regions it may be possible that this appliance qualifies for an energy rebate. See your local dealer for details regarding promotions and qualifications.**

Manufactured by Hussong Mfg. Co., Inc.
204 Industrial Park Road, Lakefield, MN 56150
Phone 1-800-253-4904 www.kozyheat.com

10-22



Product Line:



For complete information on the Kozy Heat product line, please contact us at:

FOR CALIFORNIA RESIDENTS ONLY

⚠ California Proposition 65 Warning

WARNING: This product can expose you to chemicals including Carbon Monoxide, that is an externally vented by-product of fuel combustion, which is [are] known to the State of California to cause birth defects or other reproductive harm. For more information, visit www.P65Warnings.ca.gov.