

SR Smith®

LIFEGUARD CHAIRS



Pool **Better**™

Lifeguard Chairs

CONTENTS

- Overview 2
- Chairs 3

DESIGNED FOR SAFETY

S.R.Smith offers a wide range of lifeguard stands, from traditional models to the Sentry™ series, which features a stylish, outdoor furniture look. Portable and fixed models are available in a variety of heights and rotation ability. Each S.R.Smith lifeguard stand is designed to meet the logistical and safety needs of facilities from small hotel pools to large aquatic facilities.

COMPLIANCE MATTERS

The Occupational Health and Safety Administration (OSHA) has outlined minimum requirements for lifeguard chairs in public pools. To comply with OSHA, a lifeguard stand must have rails to protect against falls and sufficient room to ascend and descend from the chair.

SPECIFYING MADE EASY

S.R.Smith lifeguard chairs are easy to add to proposals, with downloadable specifications and CAD available on our website.

S.R.SMITH LIFEGUARD CHAIRS AT A GLANCE

PRODUCT	STYLE	FRAME MATERIAL	ROTATION	SEAT HEIGHT	UMBRELLA HOLDER	PLATFORM DIMENSIONS
SENTRY	PORTABLE	HDPE*	Fixed	30", 42" & 66"	Yes	N/A
VISTA	PORTABLE	304 SS	360°	6' & 8'	Yes	30" X 42"
STANDARD	PORTABLE	304 SS	45°	6'	Yes	18" X 42"
LOW PROFILE	PORTABLE	304 SS	360°	30", 42" & 54"	Yes	38" X 42"
O-SERIES	PORTABLE	304 SS	360°	30" & 42"	Yes	30" UPPER, 42" LOWER
OUTLOOK I & II	ANCHORED	304 SS	360°	5' & 6'	Yes	30" X 42"
INSTITUTIONAL	ANCHORED	304 SS	360°	6'	Yes	18" X 42"
KNIGHTLEVER	ANCHORED	304 SS	360°	6'	Yes	30" X 42"
GUARDIAN	ANCHORED	304 SS	360°	6'	Yes	30" X 42"

*High-Density Polyethylene

Sentry® Lifeguard Chairs

Designed to complement any aquatic environment, Sentry® Lifeguard Chairs provide an elegant look that will stand the test of time.

- Outdoor furniture style and appeal
- Constructed from HDPE for strength and low maintenance
- Marine grade, 316 stainless steel hardware
- Textured treads for slip resistant surface
- Wheel kits available to facilitate transport
- 30" chair comes with brackets for anchoring to pool deck
- 42" & 66" chairs are pre-drilled for concrete anchors*
- 66" chair available with additional center support for high wind environments
- Cup & umbrella holders on all chairs
- UPS shippable
- Made in USA

*Anchors only included with SLGC-66



Sentry® 30", 42", and 66" seat height lifeguard chairs



30" Chair Wheel Kit



42" & 66" Chair Wheel Kit

Model No.	Description	Shipping — Class 70		
		Weight	Length	Width
SLGC-30	30" Sentry Lifeguard Chair	67 lbs	45"	19"
SLGC-42	42" Sentry Lifeguard Chair	95 lbs	54"	19"
SLGC-66	66" Sentry Lifeguard Chair	70 lbs	78"	14"
SLGC-66-S	66" Sentry Lifeguard Chair with center supports	110 lbs	54"	19"
		70 lbs	78"	14"

ACCESSORIES & REPLACEMENT PARTS

- 13-501 30" chair anchor brackets (included)
- 13-502 30" wheel kit
- 13-503 42" & 66" wheel kit
- 13-504 Life Ring Hook
- 13-505 Concrete anchors for 42" & 66" chairs
- 13-530 Hardware replacement kit for 30" chair
- 13-542 Hardware replacement kit for 42" chair
- 13-566 Hardware replacement kit for 66" chair

Standard Lifeguard Chair



- 6' tall at the seat
- Portable unit features two wheels for the flexibility to move your lifeguard stations as needed
- Seat swivels 45°
- Observation platform features a non-slip, white, sanded tread
- Handrails and seat post are 304 stainless steel
- Stainless steel for added corrosion resistance

Model No.	Description	Shipping (3 boxes) — Class 125			
		Weight	Length	Width	Height
PLS-204	Standard Portable	157 lbs 71kg	80"/203cm 26'/66cm 25'/64cm	62.5"/160cm 20'/51cm 20'/51cm	77/18cm 117/28cm 97/23cm

316L polished stainless steel is available.

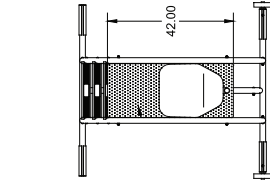
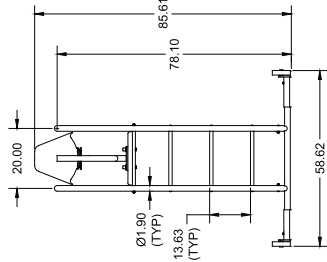
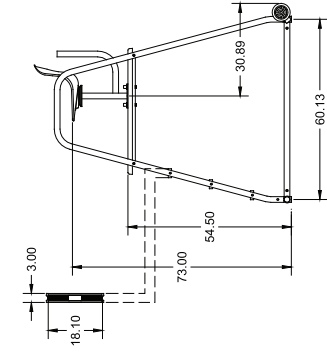
TREAD COLOR



Custom colors available

REPLACEMENT PARTS

- 8-705 Footboard (18" x 42")
- 13-109 Seat Post + Umbrella Holder
- 13-111 Seat + Swivel
- 8-609 Seat Only
- A40703-0 Swivel Only
- LTDF-105 Ladder Tread
- FC-100A White Stabilizer Leg Cover
- 8-862 Wheel
- 13-130 Hardware Pack
- X-104 Plastic End Caps
- 20-107L Left Wheel Bracket
- 20-107R Right Wheel Bracket
- 8-104 Plastic Rail End Plug



Vista Lifeguard Chair



- Available in 6' or 8' seat heights
- Portable unit features two wheels for the flexibility to move your lifeguard stations as needed
- Seat swivels 360° for a full view of your facility
- Observation platform features a non-slip, white, sanded tread
- Handrails and seat post are 304 stainless steel
- Stainless steel for added corrosion resistance

Model No.	Description	Shipping — Class 250			
		Weight	Length	Width	Height
US48500	6' Vista	206 lbs/93kg	90'/229cm	83'/21cm	16'/41cm
US48550	8' Vista	250 lbs/113kg	116'/295cm	83'/21cm	16'/41cm

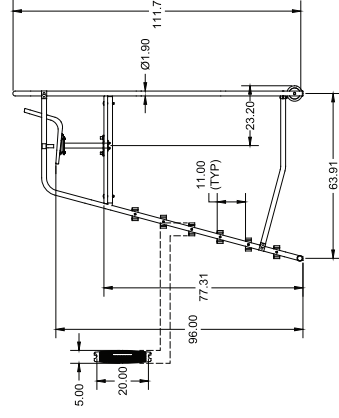
TREAD COLOR



Custom colors available

REPLACEMENT PARTS

- 8-612 Footboard (30" x 42")
- 13-117 Seat Post
- 13-111 Seat + Swivel
- 8-609 Seat Only
- A40703-0 Swivel Only
- S2470-102 Ladder Tread + Hardware
- FC-100 White Stabilizer Leg Cover
- 8-862 Wheel
- 69-209-106 Hardware Pack (6' Vista)
- 69-209-109 Hardware Pack (8' Vista)



Cantilever Lifeguard Chair

- 6' tall at the seat
- Permanent unit features a slim design that requires minimal deck space
- Seat swivels 360° for a full view of facility
- Extended observation platform features a non-slip, white, sanded tread
- Handrails and seat post are 304 stainless steel
- The support column is primed and ready for a high quality paint topcoat*

*We recommend a high-quality acrylic urethane enamel for a durable finish



Model No.	Description	Shipping (3 boxes) — Class 125		
		Weight	Length	Width
PLS-204	Standard Portable	315 lbs 143kg	65"/65cm 21"/53cm	25.5"/65cm 10"/25cm
			24"/61cm	21"/53cm

TREAD COLOR

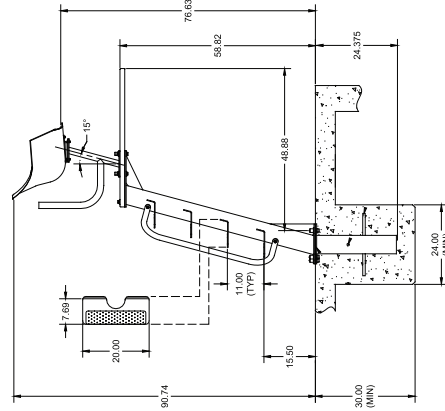
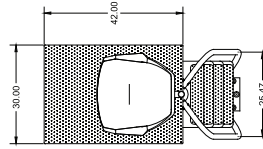


WHITE

Custom colors available

REPLACEMENT PARTS

- 13-101 Support Column
- 8-602 Footboard (30" x 42")
- 13-124 Seat Post + Umbrella Holder
- 13-119 Seat, includes Mounting Plate + Swivel, includes Hardware
- 6-621 Step Adhesive
- 8-610 Seat Only
- A40703-0 Swivel Only
- 13-104 Handrail + Hardware
- 13-103 Anchor + Mounting Hardware



Guardian Lifeguard Chair

- 6' tall at the seat
- Permanent unit features a slim design that requires minimal deck space
- Seat swivels 360° for a full view of your facility
- Extended observation platform features a non-slip, white, sanded tread
- Handrails and seat post are 304 stainless steel
- Stainless steel for added corrosion resistance

Model No.	Description	Shipping — Class 250		
		Weight	Length	Width
UMLS-101	6' Guardian	135 lbs/61kg	100"/254cm	39"/99cm
				28"/71cm

TREAD COLOR

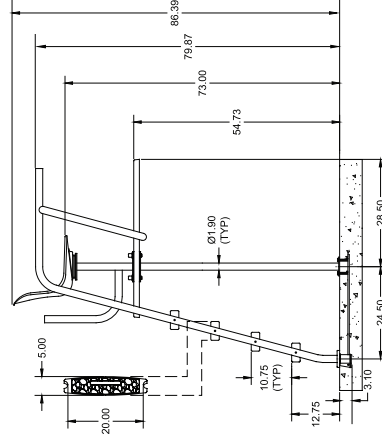
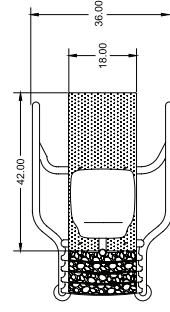


WHITE

Custom colors available

REPLACEMENT PARTS

- 13-116 Support Column
- 8-706 Footboard (18" x 42")
- 13-109 Seat Post + Umbrella Holder
- 13-111 Seat + Swivel
- 8-609 Seat Only
- A40703-0 Swivel Only
- S2470-102 Ladder Tread + Hardware
- S2823-17 Anchor Jig Assembly





Pool Better™



A Fluidra Brand | [srsmith.com](https://www.srsmith.com) | 800.824.4387

No part of this may be copied or reproduced without the expressed written consent of SR Smith, LLC

©Copyright 2022 SR Smith, LLC. All rights reserved. | M-E-BRO-175 5M 0822