

NORTHSTAR

EPA-CERTIFIED WOOD-BURNING FIREPLACE

HEAT & GLO[®]





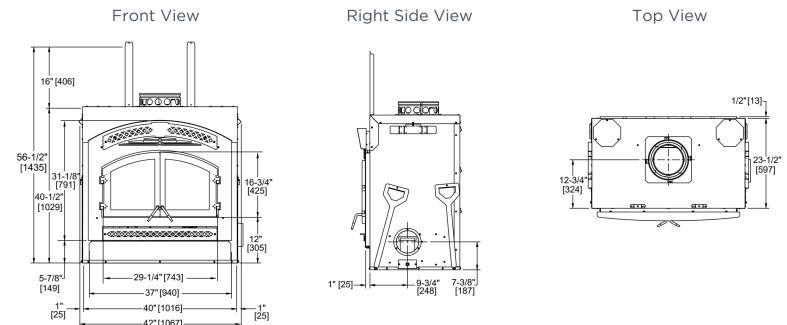
NORTHSTAR

The EPA-certified Northstar exceeds the strictest environmental burn standards in the U.S. Enjoy roaring fires in areas where conventional wood-burning fireplaces are banned. Powerful flames and high-efficiency performance are at home in any environment.

FEATURES AND BENEFITS

- 68,200 BTU¹—Heats 1,000 to 2,600 square feet²
- 2.7 cu ft interior capacity / 22" recommended log length
- Up to 10 hours of burn time from each load of wood
- EPA certified with emission levels of just 1.8 grams per hour
- Cast iron, cabinet-style doors

FRONT WIDTH		BACK WIDTH		FRONT HEIGHT		REAR HEIGHT		DEPTH		FIREBOX OPENING
Unit	Framing	Unit	Framing ¹	Unit	Framing	Unit	Framing	Unit	Framing	
40 [1016]	42-1/2 [1080]	40 [1016]	42-1/2 [1080]	40-1/2 [1029]	56-3/4 [1441]	40-1/2 [1029]	56-3/4 [1442]	23-1/2 [597]	24** [610]**	37 x 31-1/8 [940 x 791]



*Tested to EPA standards, the Northstar fireplace meets the strictest environmental standards for wood-burning fireplaces and can be used in areas where conventional wood-burning appliances are restricted or banned.
 **If interior of chase will be drywalled, add the thickness to this measurement.

For complete information on this model, please contact us at:

HEAT & GLO

No one builds a better fire

Web: heatnglo.com
 Phone: (888) 427-3973
 E-mail: info@heatnglo.com

[facebook.com/HeatandGlo](https://www.facebook.com/HeatandGlo)
twitter.com/HeatandGlo
[youtube.com/HeatandGlo](https://www.youtube.com/HeatandGlo)



LIMITED LIFETIME WARRANTY³

The strongest in the industry, Heat & Glo provides a limited lifetime warranty on the most important aspects: firebox and heat exchanger.

¹ BTU: 1st hour output uses high burn efficiency number.

² See your local authorized Heat & Glo dealer for help in determining the product that best suits your heating needs based on climate and home efficiency.

³ For full warranty details, go to www.heatnglo.com.

Fireplace surfaces get extremely HOT and can cause severe burns if touched. Keep a safe distance away. To learn more visit heatnglo.com/fireplacesafety