

# COSMO

DIRECT VENT GAS FIREPLACE

HEAT & GLO®



Available IntelliFire®  
app and voice control



# COSMO

Clean lines and elegant ambiance never go out of style. Make the look your own with three sizes and several front and interior finishing options. Choose from traditional or driftwood logs. Set the mood with LED accent lighting and a long ribbon of flame. Operate your fireplace from an intuitive and safe control. Add heat management and direct the heat where you want it. Place your TV above with the optional Passive Heat kit.



COSMO 36 using Passive Heat kit, shown with clean face trim in graphite, fade-resistant black glass reflective panels, river rocks and LED accent lights

## FRONT OPTIONS



MARTINI FRONT

GRAPHITE

NEW  
BRONZE

EBONY  
(GLOSS  
FINISH)<sup>1</sup>



CLEAN FACE TRIM

BLACK

NEW  
BRONZE

EBONY  
(GLOSS  
FINISH)<sup>1</sup>

GRAPHITE

STAINLESS  
STEEL<sup>1</sup>

<sup>1</sup> Available for 42" only.

## INTERIOR OPTIONS



FADE-RESISTANT REFLECTIVE BLACK GLASS  
INTERIOR PANELS



DRIFTWOOD LOGS



TRADITIONAL LOGS



LED ACCENT LIGHTING



CRYSTAL GLASS



BLACK GLASS



AMBER GLASS



BLUE GLASS



BLACK GLASS BEADS



WHITE GLASS BEADS



CLEAR GLASS BEADS



RIVER ROCK

## CONTROLS

### INTELLIFIRE APP

All the features of a remote control with an app installed on your smart device. Monitor your fire from anywhere or even control it with the sound of your voice. IntelliFire is compatible with voice assistants Amazon Alexa and Google Assistant.



### TOUCHSCREEN REMOTE

Features: on/off, flame height adjustment, fan speed, lights adjustment, thermostat mode, room temperature readout, child lock, timer mode, battery backup, cold climate mode, power vent, wall docking station (fan, lights and power vent are dependent on your fireplace).



### WIRELESS WALL SWITCH

Features: on/off, battery strength indicator, cold climate mode



### LED ACCENT LIGHTING CONTROL

LED accent lighting is set to desired color when installed. An optional LED light switch allows user to change the color at any time.



# TECHNOLOGY

## INTELLIFIRE TOUCH IGNITION SYSTEM



IntelliFire Touch is our most advanced intermittent-pilot ignition (IPI) system, making operating your appliance simple, smart and safe. Select the IntelliFire app, touch-screen remote control or wireless wall switch for the solution that fits your lifestyle.

## DIRECT VENT TECHNOLOGY



Direct Vent fireplaces remove 100% of combustion exhaust and odors outside of the home. These sealed fireplaces provide optimal heat, conserve energy and ensure clean, safe indoor air quality.

## HEAT MANAGEMENT



Solutions to help you manage the heat throughout your house.

**PASSIVE HEAT™ KIT** Passive heat disperses heat naturally without moving parts, allowing TVs to be mounted 12" above the fireplace without a mantel or shelf.

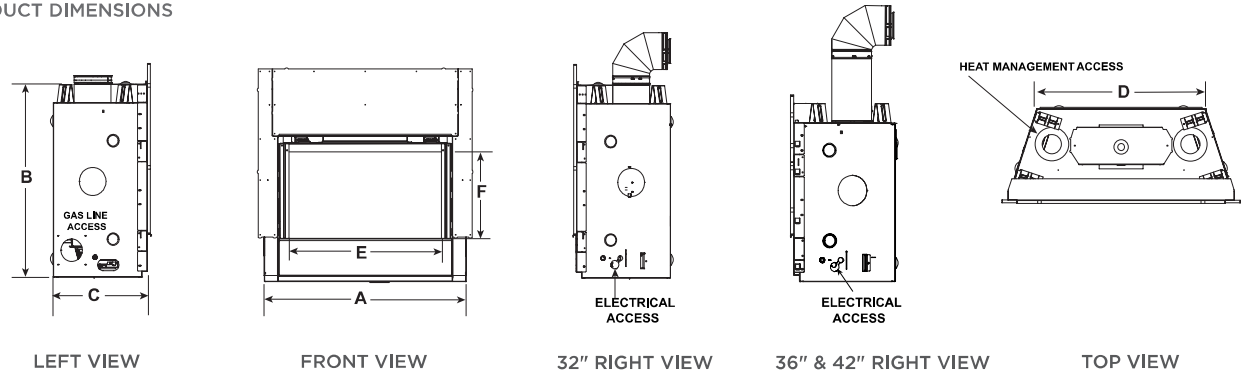
**HEAT-ZONE® KIT** Reduce wall temperatures and redirect up to 50% of the heat from your fireplace to another room in your home.

**HEAT OUT® KIT** Redirect up to 40% of the heat from your fireplace and direct it outside for comfort year round.

**OPTIONAL FAN** Move heat directly into the room for added comfort.

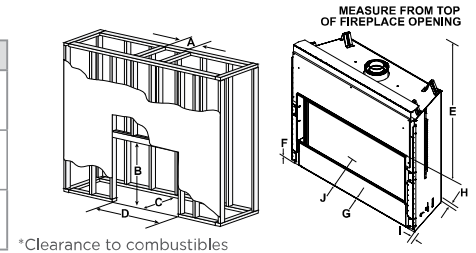
MODEL	FRONT WIDTH (A)		HEIGHT (B)		DEPTH (C)		REAR WIDTH (D)		GLASS SIZE (E X F)	BTU/HR INPUT
	ACTUAL	FRAMING	ACTUAL	FRAMING	ACTUAL	FRAMING	ACTUAL	FRAMING		
COSMO 32"	36" [914]	37" [940]	38-1/16" [967]	36-1/2" [927]	17-3/4" [451]	17-3/4" [451]	25-3/4" [654]	37" [940]	27-1/4" x 15-1/4" [692 mm x 387]	19,000 [NG] 16,500 [LP]
COSMO 36"	41" [10419]	42" [1067]	33-11/16" [856]	32-3/4" [832]	17-3/4" [451]	17-3/4" [451]	30-3/4" [781]	42" [1067]	32-1/4" x 15-1/4" [819 x 387]	20,500 (NG) 19,000 (LP)
COSMO 42"	48" [1219]	49" [1245]	33-11/16" [856]	32-3/4" [832]	17-3/4" [451]	17-3/4" [451]	37-3/4" [959]	49" [1016]	39" x 15-1/4" [991 mm x 387]	25,250 [NG] 23,500 [LP]

### PRODUCT DIMENSIONS



### FRAMING DIMENSIONS

MODEL	A	B	C	D	E	F*	G*	H	I	J
COSMO 32"	8-5/8" [219]	36-1/2" [927]	17-3/4" [451]	37" [940]	31" [787]	0" [0]	0" [0]	1/2" [13]	1/2" [13]	36" [914]
COSMO 36"	8-5/8" (219)	32-3/4" (832)	17-3/4" (451)	42" (1067)	31" (787)	0" (0)	0" (0)	1/2" (13)	1/2" (13)	36" (914)
COSMO 42"	8-5/8" [219]	32-3/4" [832]	17-3/4" [451]	49" [1245]	31" [787]	0" [0]	0" [0]	1/2" [13]	1/2" [13]	36" [914]



\*Clearance to combustibles

Dimensions are in inches and millimeters. Product information is not complete and is subject to change without notice. Product installation must adhere strictly to instructions shipped with product. We recommend measuring individual units at installation. NOTE: Combustible material should not cover the face. REFER TO INSTALLATION MANUAL FOR DETAILED SPECIFICATIONS ON INSTALLING THIS PRODUCT. Hearth & Home Technologies reserves the right to update units periodically. Actual product appearance, including flame, may differ from product images.

## EFFICIENCIES

EnerGuide (CSA P.4.1-15) EnerGuide is a rating used in Canada to measure annual fireplace efficiency.

COSMO 42	COSMO 36	COSMO 32
63.8% (NG)	63.0% (NG)	51.1% (NG)

For complete information on this model, please contact us at:

# HEAT & GLO

No one builds a better fire

Web: [heatnglo.com](http://heatnglo.com)  
Phone: (888) 427-3973  
E-mail: [info@heatnglo.com](mailto:info@heatnglo.com)

[facebook.com/HeatandGlo](https://www.facebook.com/HeatandGlo)  
[twitter.com/HeatandGlo](https://twitter.com/HeatandGlo)  
[youtube.com/HeatandGlo](https://www.youtube.com/HeatandGlo)

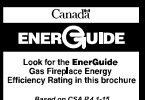
HNG-1092U-0722

### LIMITED LIFETIME WARRANTY<sup>3</sup>

The strongest in the industry, Heat & Glo provides a limited lifetime warranty on the most important aspects: firebox and heat exchanger.

<sup>3</sup> For full warranty details see [heatnglo.com](http://heatnglo.com). Fireplace glass and other surfaces get extremely HOT and can cause severe burns if touched. Do not remove the protective safety screen from the front of the glass. Keep a safe distance away. To learn more visit [www.heatnglo.com/fireplace-safety](http://www.heatnglo.com/fireplace-safety)

Google, YouTube and Google Home are trademarks of Google LLC. Amazon, Alexa, and all related logos are trademarks of Amazon.com, Inc. or its affiliates.



Based on CSA P.4.1-15

