

P-Series

Pellet Stoves



HARMAN[®]

BUILT TO A STANDARD, NOT A PRICE

Harman P-Series stoves are a true testament to engineering excellence and heating performance. These customizable units create a striking statement in your living space, blending clean lines and mechanical flair with the elegant design of your home. Multiple sizes allow for seamless integration into any room, while efficiently heating your space.

Features

- Quiet, variable-speed blower
- High efficiencies with accordion heat exchanger
- Room temperature regulated to within one degree
- Cleaner glass thanks to exclusive air wash system
- Easy to use with hidden, color control
- Less loading with large hopper capacities
- Less maintenance with large ash pan
- Elegant flame-reactive mirrored glass
- Installation made easy with direct vent

Key Technologies

ESP Temperature Control Harman pellet products utilize an Exhaust Sensing Probe system (ESP) to deliver precise heat control. ESP constantly monitors and adjusts heat output to maintain set room temperatures within one degree.



PelletPro™ Technology This patented system makes it possible to burn any grade of pellet fuel with maximum heat and efficiency. A bottom-up feed system burns each pellet completely and allows for 24-hour heating.



P43 shown with optional ceramic log set.

Shown on cover: P43 with optional modern brushed stainless trim, brushed stainless air grille,

Aesthetic Options

Door Trim



P43/P61 Leaf



P68 Leaf

Air Grilles



Brushed Stainless



Bright Nickel



P43/P61/P68 Modern

Leaf trims available in bright nickel and brushed stainless.
Modern trim only available in brushed stainless.

Side Heat Shields



Matte Black with
Stainless Steel inlay



Matte Black

Ash Door Inlays



Deer Slate



Trail Riders Slate



P61 shown with optional bright nickel leaf trim, brushed stainless air grille and deer slate inlay.



P68 shown with optional modern brushed stainless trim, brushed stainless air grille and trail riders slate inlay and log set.

trail rider slate inlay and black heat shields with brushed stainless accent and log set.

Utility Options

Hopper Extension

Logs



Ceramic Log Kit



55lb hopper extension (P43)
60lb hopper extension (P61 & P68)

Installation Solutions



Direct Vent Wall Pass-Through

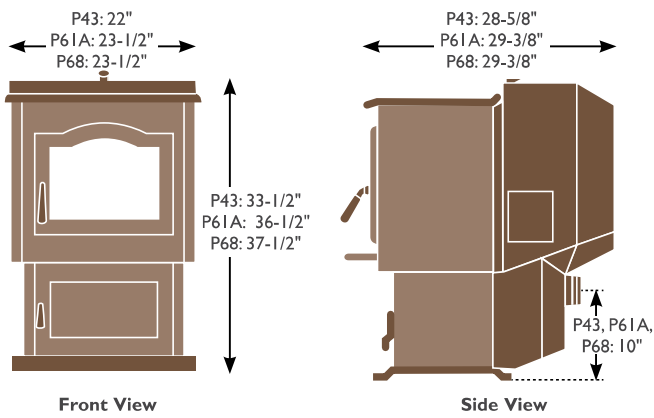


Outside Air Termination Cap

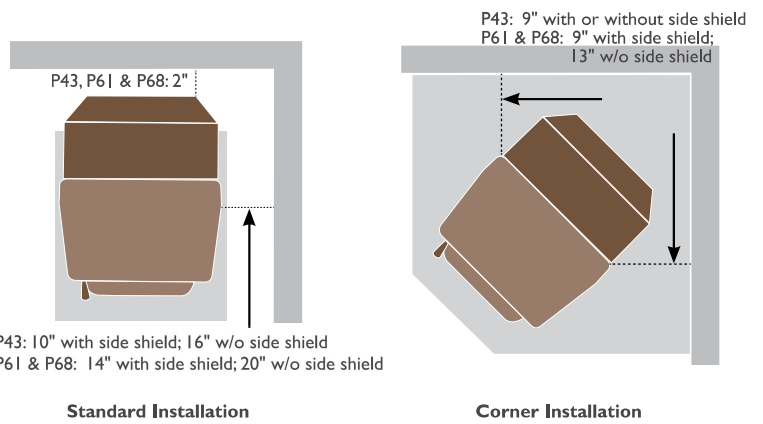


Harman Protect Cast Iron Hearth Pad

Specifications



Clearance to Combustibles



P43 Pellet Stove



BTU/Hr Input¹..... 17,200-43,500
 Efficiency²..... 84% LHV; 77% HHV
 Emissions..... .95g/hr
 Heating Capacity³..... 800-2,400 sq ft
 Hopper Capacity..... 50 lb
 105lbs with optional hopper extension
 Fuel Type..... Pellet
 Feed Rate..... 1.9-4.7lb/hr
 Venting Size..... 3"
 Weight..... 213 lb
 Mobile Home Approved

P61 Pellet Stove



BTU/Hr Input¹..... 21,400-60,700
 Efficiency²..... 85% LHV; 79% HHV
 Emissions..... 1.5g/hr
 Heating Capacity³..... 1,300-3,500 sq ft
 Hopper Capacity..... 72 lb
 132lbs with optional hopper extension
 Fuel Type..... Pellet
 Feed Rate..... 1.5-6.6lb/hr
 Venting Size..... 3"
 Weight..... 247 lb
 Mobile Home Approved

P68 Pellet Stove



BTU/Hr Input¹..... 20,200-67,600
 Efficiency²..... 85% LHV; 79% HHV
 Emissions..... 1.4g/hr
 Heating Capacity³..... 1,500-3,900 sq ft
 Hopper Capacity..... 76 lb
 136lbs with optional hopper extension
 Fuel Type..... Pellet
 Feed Rate..... 1.7-7.8lb/hr
 Venting Size..... 3"
 Weight..... 259 lb
 Mobile Home Approved

Floor Protection

Stove	P43	P61	P68
Standard Installation	25-7/16"x 26-3/4" minimum 25-7/16"x 33-3/16" if touching wall	25-1/8"x 27-3/4" minimum 25-1/8"x 34-3/16" if touching wall	25-3/16"x 27-3/4" minimum 25-3/16"x 54" if touching wall
Corner Installation	40"x 40" touching wall	40"x 40" touching wall	40"x 40" touching wall

A Standard of Excellence

In 1979, Dane Harman used his welding skills and design talent to build his first wood stove, setting the stage for a journey full of entrepreneurial energy and innovation. Built to a Standard and Not a Price has remained an unwavering promise since that first model was constructed, and is exemplified today through Harman's multiple patents and industry awards. Harman heating solutions are built to withstand the test of time with reliable warmth and aesthetic elegance, staying true to Dane's dedication to optimal performance and engineering excellence.

YOUR HARMAN DEALER IS:

HARMAN[®]
 BUILT TO A STANDARD. NOT A PRICE

PHONE: 800-664-3119
 WWW.HARMANSTOVES.COM

facebook.com/HarmanStoves
 twitter.com/HarmanStoves
 youtube.com/HarmanStoves

HAR-1714U-0221

LIMITED LIFETIME WARRANTY⁴

The strongest in the industry, Harman provides a limited lifetime warranty on the most important aspects: firebox and heat exchanger.

¹EPA tested input ²Weighted Average LHV (Low Heating Value) Efficiency, HHV (High Heat Value) efficiency used to qualify products for Tax Credit beginning in 2021. ³See your local authorized Harman dealer for help in determining the product that best suits your heating needs based on climate and home efficiency. ⁴For full warranty details, visit www.harmanstoves.com.

Actual product appearance, including flame, may differ from image. Product specifications and pricing subject to change without notice. The images and descriptions in this brochure are provided to assist you in product selection only. Fuel density and pellet shape may affect hopper capacity. Btu's may vary depending on type of fuel used. Refer to installation manual for complete clearance requirements and specifications.

Appliance surfaces get extremely HOT and can cause severe burns if touched. Keep a safe distance away. To learn more visit www.harmanstoves.com/fireplacesafety