

564 TV 35K DELUXE TRADITIONAL GAS FIREPLACES

FIREPLACE
XTRORDINAIR



The 564 TV 35K Clean Face Deluxe shown with the 2" Trim Kit, Classic Oak Log Set, Old World Stucco Fireback, and CoolSmart TV Wall™ Kit.



BRAND NEW

564 TV 35K Deluxe

- Two Models -
564 TV 35K Deluxe & 564 TV 35K Clean Face Deluxe

The 564 TV 35K Deluxe is a mid-sized fireplace that delivers big heat. With a 35,000 BTU input and high heat transfer ceramic glass, this high output model is ideal for larger spaces in your home or colder climates. This fireplace features massive dancing flames and realistic Ember-Glo™ ember bed lighting, with your choice of highly detailed 10-piece Classic Oak or Birch Log Sets.

The 564 Top Vent (TV) 35K is available with our selection of designer faces, or as a "Clean Face" model with a sleek, decorative trim. This fully-loaded Deluxe fireplace features the GreenSmart® Remote Control, 180 CFM Convection Fan, Accent Lights, and the optional CoolSmart TV Wall™ Kit.

- Viewing Area: Ceramic Glass: 29-3/8" W x 16-3/8" H (481 Sq. In.)
- Heating Capacity: Up to 1,700 square feet
- BTU Input Per Hour: 12,000 (NG), 7,500 (LP) to 35,000 (NG/LP)
- Steady State Efficiency: Up to 82.77% (NG), 84.36% (LP)
- EnerGuide P4 Efficiency: 75.07% (NG) 75.80% (LP)

Choose Your Log Set



Classic Oak

10 Piece high definition log set

Choose Your Fireback



Reversible Common
Brick/Herringbone Brick



Handmade
Brick



Stacked
Tan Brick



Old World
Stucco



Birch

10 Piece high definition log set



Black Glass

The 564 TV 35K Deluxe shown with the Classic Arch™ Face, Birch Log Set, and Black Glass Fireback.



More Designer Face Choices

Basic Grills
Black Painted



Mission™ Grills
Black Painted



Basic Louvers
Black Painted



Metropolitan™ Face
Black Painted



Metalsmith™ Face
Carbon Patina



French Country™ Face
Black Painted



Legacy™ Face
Black Painted or
Carbon Patina



Artisan™ Face
Charcoal Painted



Artisan™ Face
Bronze Patina



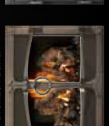
Timberline™ Face
Bronze Patina



Timberline™ Face
Burnished Patina



IronWorks™ Face
Bronze Patina



IronWorks™ Face
Burnished Patina



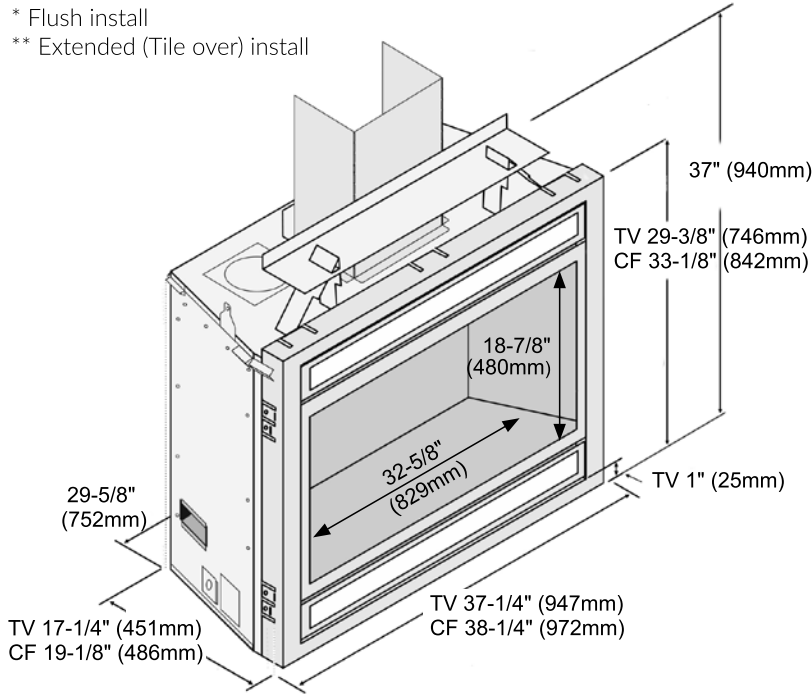
Rectangular Double Door Face,
Black Painted



Dimensions and Framing			
Front Width		Back Width	
Unit	Framing	Unit	Framing
37-1/4" TV	37-3/4" TV	29-5/8" TV	37-3/4" TV
38-1/4" CF	38-3/4" CF	29-5/8" CF	38-3/4" CF
Height		Depth	
Unit	Framing	Unit	Framing
37" TV	37-1/4" TV	17-1/4" TV	17-1/2"* TV 17-1/2"*** TV
37" CF	37-1/4" CF	19-1/8" CF	19-3/8"* CF 18-7/8"*** CF

* Flush install

** Extended (Tile over) install



The dimensions and clearances on this page are for reference only. Always refer to the Owner's Manual prior to installation. We recommend all Fireplace Xtrordinair® appliances be installed and maintained on an annual basis by your Specialty Hearth Retailer. Installation and framing information is available at your local Fireplace Xtrordinair® dealer or on our website at www.fireplacex.com. Improper installation of your gas appliance or failure to operate it in accordance to the guidelines detailed in the Owner's Manual may negate your warranty and endanger your home and family.

Features & Options You're Gonna Love	
Comfort Control™	YES
Convection Fan	180 CFM
Accent Lights	OVERHEAD
Ember-Glo™	YES
Cool Smart TV Wall™ Option	YES
Power Exhaust Vent Option	YES
Power Heat Duct Option	ONE

Specifications	
Height (including standoffs)	37"
Width	37-1/4"
Depth	17-1/4"
Flue Diameter	8"
May be reduced. Ask your dealer.	
Direct Vent Top Vent	YES
Direct Vent Rear Vent	NO
Weight	165 lbs.
Glass Viewing Area	481 sq. in.
Combustible Min. Mantel Clearances (Measured from base of fireplace to mantel)	35-3/4" - 38-1/2"
Hearth Requirement	None

Performance	
Heating Capacity (Up To)	1700 Sq. Ft.
BTU Input High to Low (NG)	35,000 - 12,000
BTU Input High to Low (LP)	35,000 - 7,500
Turndown Ratio	66% NG 79% LP
Canadian EnerGuide P4 Efficiency	75.07% NG 75.80% LP
Steady State Efficiency High (Up to)	82.77% NG 84.36% LP
AFUE (Annual Fuel Utilization Efficiency)	79.00% NG 79.80% LP



Manufactured by
Travis Industries, Inc.
Mukilteo, WA

See our complete line
of products online:
fireplacex.com

We reserve the right to change and improve our product at any time without prior notification. Please refer to the Owner's Installation Manual for complete installation requirements. Photos and illustrations are for descriptive purposes only. Fireplace Xtrordinair® Gas Fireplaces are protected by one or more of the following patents; U.S. 8,469,021, 7,066,170, 6,602,068, 6,443,726, 6,953,037; Canada 2755517 as well as other U.S. and Foreign Patents Pending.

Copyright ©1/2021

#98800918

