

# DEERFIELD™ PELLET STOVE

FEATURING ULTRA IRON FAN™



# DEERFIELD™

## The Quietest & Simplest Pellet Stove to Operate and Live With!

The Deerfield™ combines beautiful European castings with next generation technology and optimum performance to bring you a revolutionary, 'best-in-class' pellet stove.

### FEATURES YOU WILL LOVE:

- **ULTRA QUIET OPERATION** is achieved from a unique cast iron combustion fan housing and variable speed twin 90 CFM convection fans that circulate heat evenly and quietly throughout your home
- Award-winning, user-friendly TouchSmart™ Control Panel with on-board thermostat
- See through glass hopper door with LED lighting offers a quick reference to fuel level
- Easy to clean, operate, maintain, and live with
- Huge 60 lb. hopper capacity provides longer burn times between refueling
- Elegant design with exquisite quality cast iron construction
- Super-efficient air wash system keeps ceramic viewing glass clean
- Easily removable ash pan
- Burns all grades of wood pellet fuel
- Sound dampening on all components ensures quiet operation
- Electronic ignition for easy startup
- Heavy duty construction ensures years and years of dependable heat
- When the stove is not in operation, a reflective coating on the ceramic glass conceals the fire pot and burn chamber. When in operation, the mirrored surface disappears for enjoyment of the fire

### SPECIFICATIONS:

- Heating Capacity:\* Up to 2,500 Sq. Ft.
- EPA Tested BTU Output:\*\* 10,916 – 35,779 BTUs per hour
- EPA Tested BTU Input:\*\*\* 13,940 – 49,200 BTUs per hour
- Emissions: 1.2 Grams per hour
- Overall Efficiency:\*\*\*\* Up to 77%
- Maximum Burn Time:\*\*\*\*\* Up to 35 hours
- Burn Rate: 1.7 - 6.0 lbs. per hour
- 3" Venting Installation

\* Heating capacity may vary depending on degree of home insulation, floor plan and ambient temperature zone of the area you live

\*\* This pellet stove meets the 2020 U. S. EPA's pelletized wood emissions limits for pellet stoves

\*\*\* Based on 8,200 BTUs. Per pound

\*\*\*\* Overall Efficiency as tested using B-415.1

\*\*\*\*\* Longer burn times are possible when using the on-board thermostat

### OPTIONS:

- Outside Air Kit
- 3" Horizontal Vent Kit - Includes pipe, flue adapter, wall thimble, and cap
- 3" Horizontal Corner Vent Kit - Includes pipe, elbow, flue adapter, wall thimble, and cap

### TESTING

Listed Pelletized Solid Fuel Burning Appliance. Also for use in mobile homes. Certified for the US and Canada. Conforms to ASTM E1509-12, Room Heater Pellet Burning Type (UM) 84 HUD; Certified to ULC S627. Tested and listed for mobile homes in accordance with OAR 814-23-900 through 814-23-909. Tested and Listed by Intertek.



Beautifully Proportioned Cast Iron Design



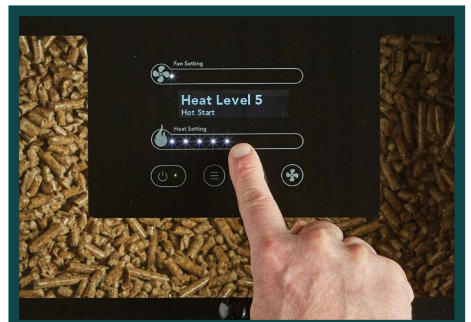
Huge 60 lb. Hopper Capacity



Easy Access Door for Cleaning Stove



Large Capacity Ash Pan

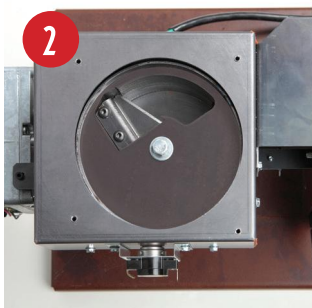


Illuminated TouchSmart™ Control Panel in Glass Fuel Loading Door

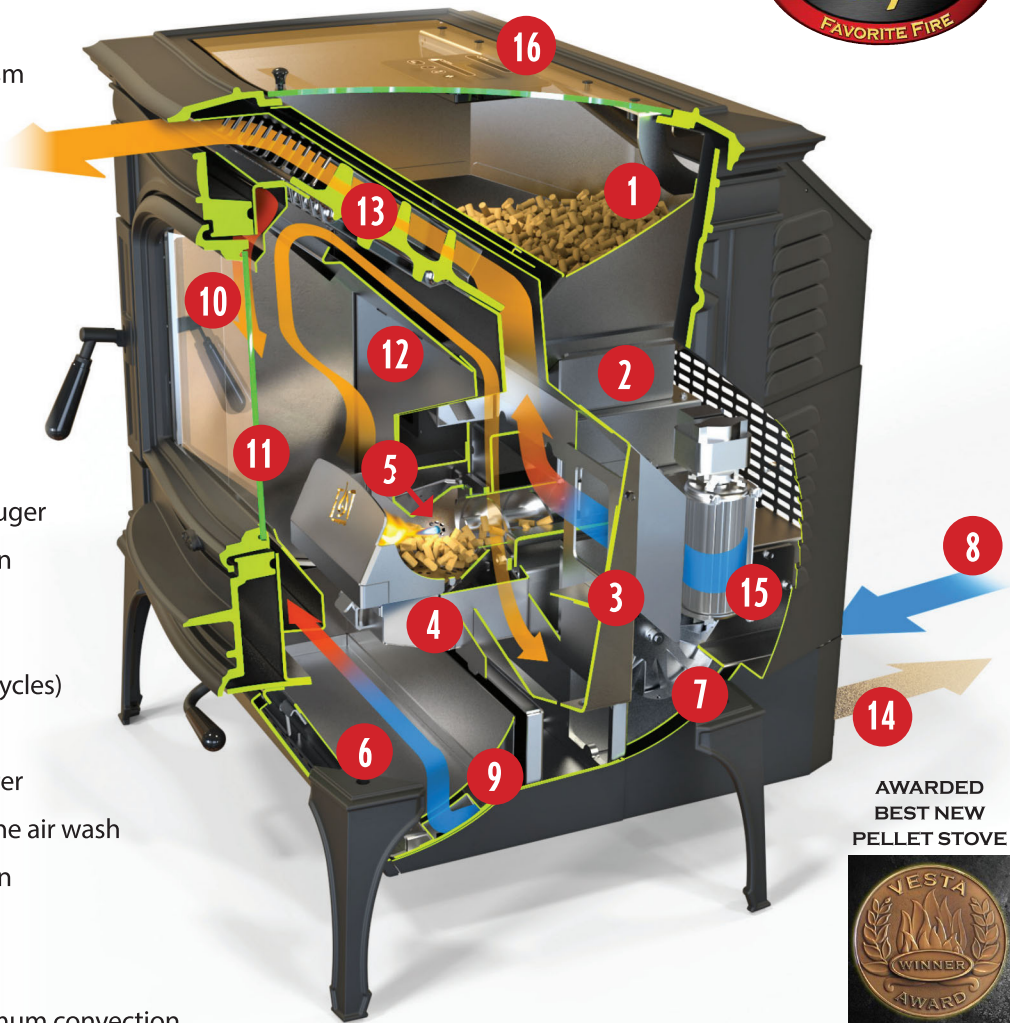
# EASY TO OWN & OPERATE!



1. Large capacity 60 lb. hopper
2. Horizontal Rotary Disc (HRD): The HRD feed system is a high precision mechanism designed to deliver all grades of pellets to the burn chamber



Watch a video on how the HRD works

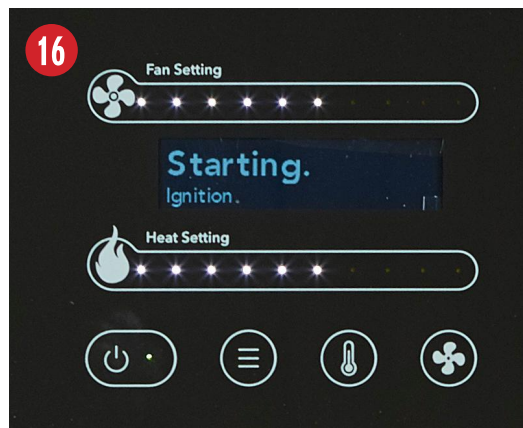


3. High torque drive motors for HRD and auger
4. Heavy duty 304 grade stainless steel burn chamber burns all grades of pellets
5. Electronic pellet igniter
6. Large capacity ash pan (fewer cleaning cycles)
7. Ultra quiet 100 CFM combustion fan
8. Outside combustion air, 3" intake diameter
9. Preheated chamber for air delivered to the air wash
10. Super-efficient air wash keeps glass clean
11. Mirrored ceramic glass
12. Stainless steel firebox liners
13. 25 lb. cast iron heat exchanger for maximum convection heat transfer
14. 3" exhaust vent
15. Two high heat transfer 90 CFM convection fans quietly circulate heated air throughout the room
16. The award-winning TouchSmart™ Control Panel is seamlessly integrated into the glass fuel loading door and operates every function of the Deerfield™ with ease

AWARDED  
BEST NEW  
PELLET STOVE



## TouchSmart™



It's as simple as Step 1 & Step 2!

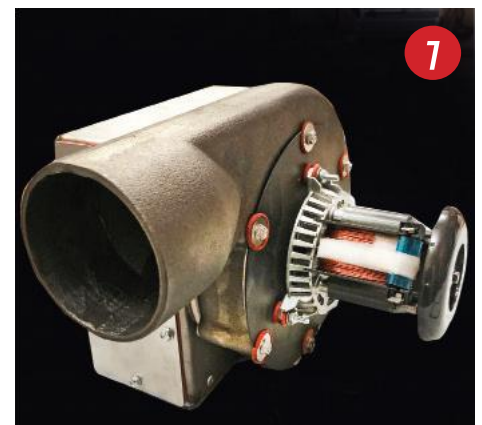
Step 1:  
Push the power button to turn the unit on.

Step 2:  
Set your desired room temperature, then walk away!

*(Notice your room temperature will automatically reset to your last setting)*

ASK FOR A DEMONSTRATION AT  
YOUR LOCAL DEALER

## Ultra Iron Fan™



This fan reduces vibration and smooths out air flow to achieve ultra quiet operation of your stove. The quietest performance is attained when operating at medium to low settings.

# MINIMUM CLEARANCES TO COMBUSTIBLE WALLS

Stove clearances measured from top of stove.  
Connector clearances measured from exhaust vent.

## FLOOR PROTECTION

The pellet stove must be installed on a non-combustible surface protector extending the full width and depth of the heater and extending 6" (153mm) in front and 2" (51mm) to each side and under the rear exhaust Tee. Hearth protection must be a minimum .018" thick (26 gauge).

## ALCOVE REQUIREMENTS

When installed in an alcove with a ceiling height less than 7 ft (2.134 M).

- Minimum Height is 60" with 6" side and 3" rear clearance to wall.
- Minimum Width is 40-1/4" with min. clearance of 3" for horizontal venting.
- Maximum depth is 48" with minimum clearance of 2" from pipe for vertical venting.

## ELECTRICAL SPECIFICATIONS

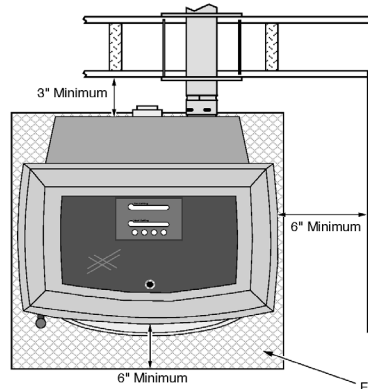
Electrical Rating: 115 Volts, 4 Amps, 60 Hz

Watts During Start-Up Sequence: 480

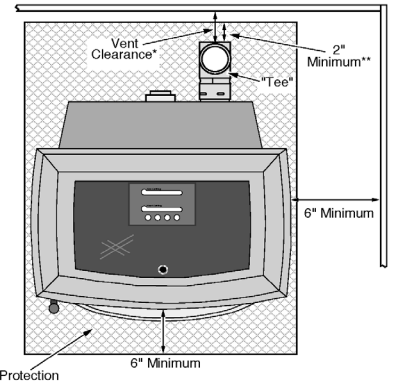
Watts During Operation: 300

### Straight Installations

#### Through the Wall Installation

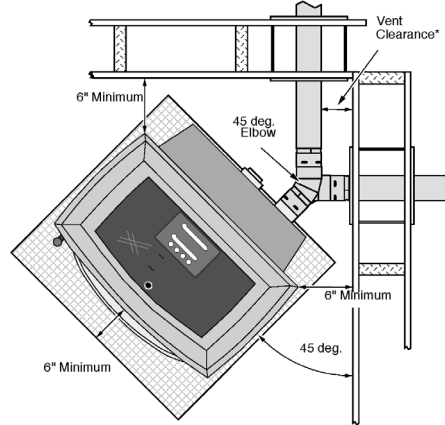


#### Interior Vertical Vents

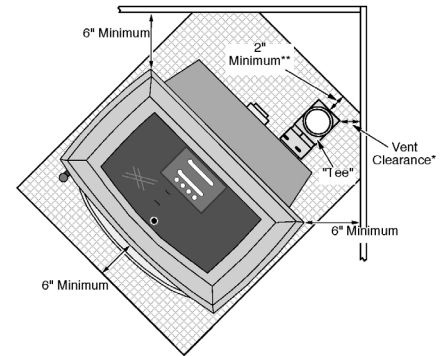


### Corner Installations

#### Through the Wall Installation



#### Interior Vertical Vents

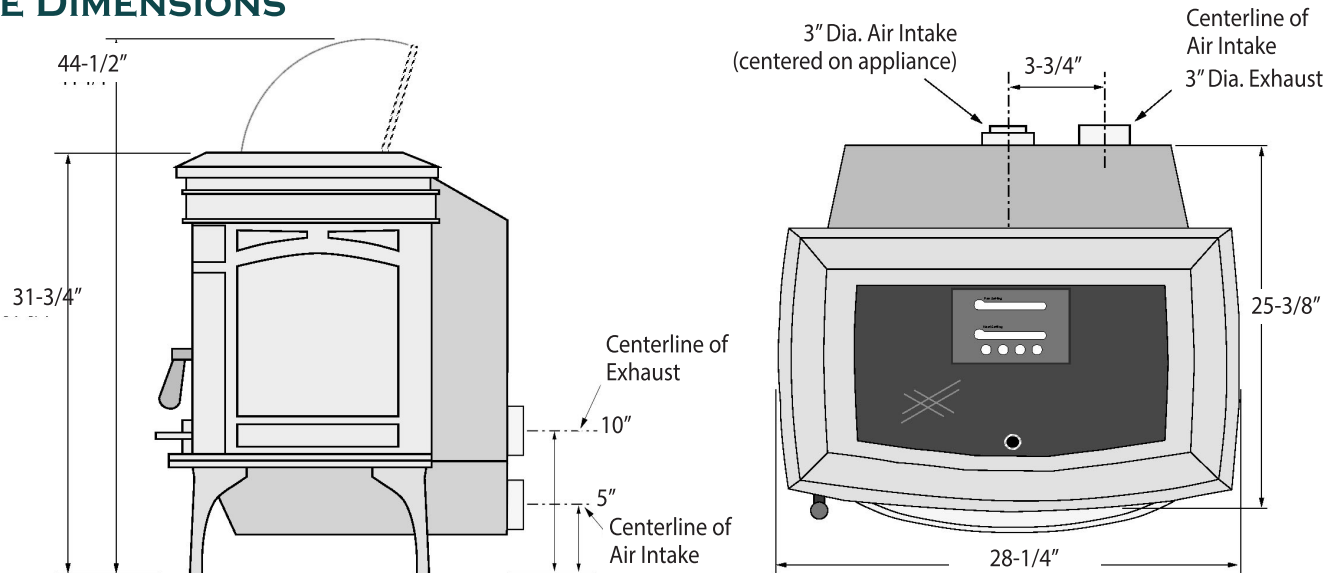


\*Install the vent at the clearance specified by the vent manufacturer

\*\* The floor protection must extend 2" (51mm) beyond the pipe - all vent clearances must be met.

Use the installation illustrations as a guide only. For complete installation instructions please refer to your Lopi Dealer or go to the Deerfield™ product page at [www.Lopistoves.com](http://www.Lopistoves.com). NOTE: Improper installation of your pellet appliance or failure to operate it in accordance to the guidelines detailed in the Owner's Manual may negate your warranty and endanger your home and family.

## STOVE DIMENSIONS



**YOUR LOPI AUTHORIZED DEALER:**



[www.lopistoves.com](http://www.lopistoves.com)  
Manufactured in  
Mukilteo, WA

