

BIRCHWOOD 20 & OAKPORT 18

FREE-STANDING GAS STOVES



Birchwood 20 shown with an Arched Mission screen front, Traditional Brick refractory, and standard Traditional Legs.

QUALITY FIREPLACES FOR LIFE.

KOZY  HEAT
FIREPLACES

Oakport 18 shown with a Standard screen front and Black Glass panels



FREESTANDING SERIES

Safety Screen Fronts



Rectangle Full Screen Front
Birchwood Only
with Traditional Brick refractory



Antique Copper
with Black Glass panels
Available in Antique Copper, Brushed Nickel



Prairie Screen Front
Birchwood Only
with Black Glass panels



Arched Mission Screen Front
Birchwood Only
with Masonry refractory



Prairie Design Overlay
Oakport Only
with Black Glass panels



Arched Prairie Design Overlay
Oakport Only
with no refractory



Birchwood 20 shown with a Rectangle screen front, Black Glass panels, optional Contemporary base and optional tile frame kit (tile not included)

Base Options



Traditional Legs (Standard)



Pedestal Base
(Birchwood Only)
Optional 1/2" Thick (4) Tile Size: 12 x 10-3/4"



Contemporary Base
(Birchwood Only)
Optional 1/2" Thick (6) Tile Size: 12 x 12"

Burn Video



Birchwood 20



Oakport 18

Remotes

(Optional on Birchwood 20 LE/MV & Oakport 18)



Thermostat Remote or Deluxe On/Off Remote



Wired or Wireless Wall Mount Thermostat



Wireless wall switch

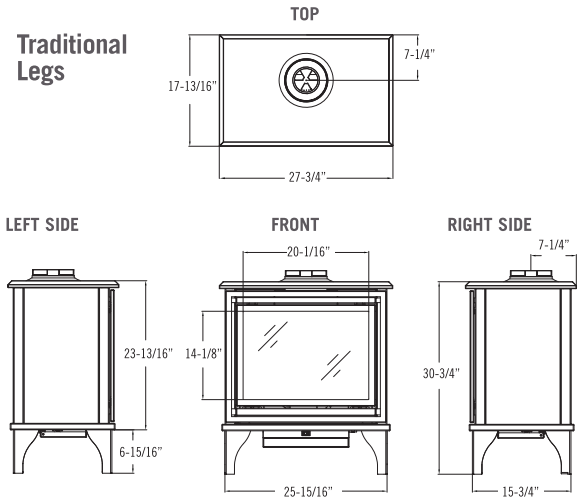
Komfort Kontrol Remote

Standard with the Birchwood 20 L

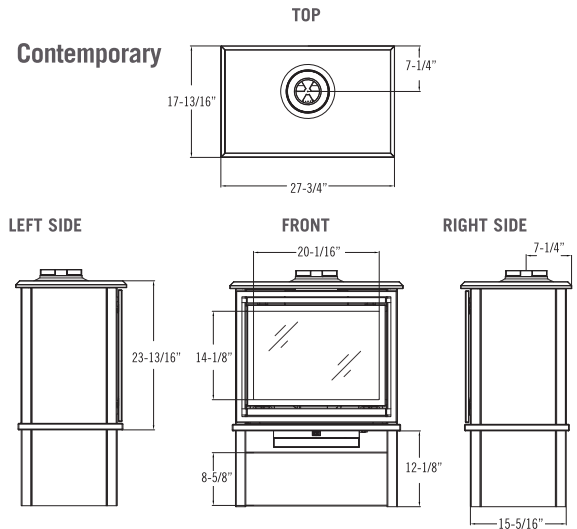


Birchwood 20

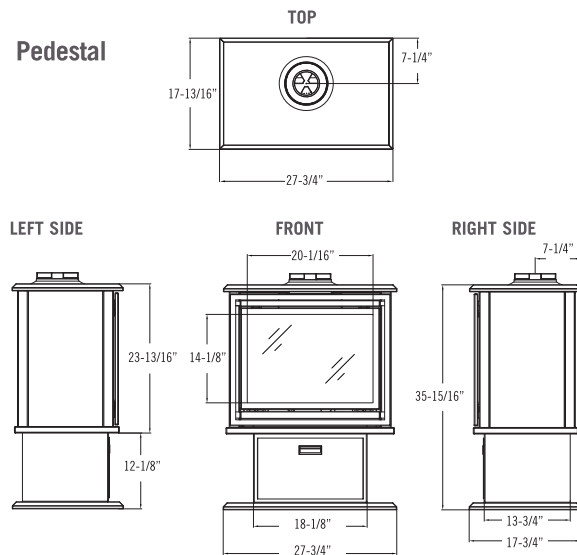
Traditional Legs



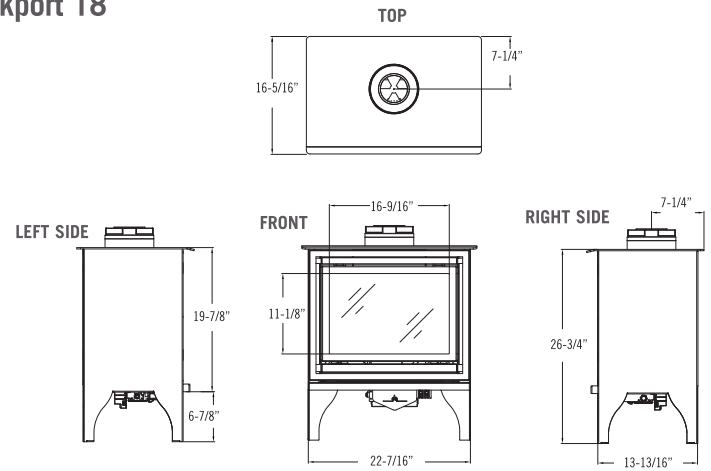
Contemporary



Pedestal



Oakport 18



Clearances

Model	Birchwood 20	Oakport 18
From appliance top corners to side wall	1"	1"
From appliance top to back wall	5"	5"
From appliance top to ceiling	35-3/4"	37-1/4"
From top of horizontal pipe surface to ceiling	3-1/8"	3-1/8"

Model	Birchwood 20	Oakport 18
Height		
Traditional Legs	30-3/4"	26-3/4"
Pedestal & Contemporary Base	35-15/16"	N/A
Width		
Traditional Legs	25-15/16"	22-7/16"
Pedestal & Contemporary Base	27-3/4"	N/A
Depth	17-13/16"	16-5/16"
Weight	155 lbs.	114 lbs.
Viewing Area	14-1/8" x 20-1/16"	11-1/8" x 16-9/16"
BTU NG High / Low	32,500 / 15,750	24,500 / 15,500
BTU LP High / Low	32,500 / 15,750	24,500 / 19,000
ENERGUIDE P.4 NG / LP	64.08% / 64.57% 62.92% / 63.88% (MV)	71.71% / 75.58% 70.54% / 73.39%
Steady State NG / LP	69.44% / 65.16%	77.95% / 80.27%
AFUE % NG / LP	59.96% / 59.94%	75.95% / 77.73%
Ceramic Glass	Standard	Standard
Valve System	IPI / LE / MV	LE / Millivolt
Standard Base	Traditional Legs	Traditional Legs
Optional Bases	Pedestal & Contemporary	N/A
Optional Refractory/Panels	Traditional Brick, Masonry, Black Glass	Black Glass
Tile Frame Kit	Optional	N/A
Fan Kit	L – Included LE – Optional MV – Optional	Optional
Screen Front	Required	Included

Features, Options & Specifications are subject to change.

Each unit factory tested

Certified to ANSI Z21.88 Vented Gas Heaters

Refer to the installation manuals for complete installation & venting requirements. See additional mantel clearance configurations in the installation manual.

In order to continually provide the highest quality product available, features/options, specifications & dimensions are subject to change. Refer to the unit installation manual for complete installation instructions. Installation must conform with local building codes. In some regions it may be possible that this appliance qualifies for an energy rebate. See your local dealer for details regarding promotions and qualifications.

Manufactured by Husson Mfg. Co., Inc.
204 Industrial Park Road, Lakefield, MN 56150
Phone 1-800-253-4904 www.kozyheat.com

4-20



Product Line:



For complete information on the Kozy Heat product line, please contact us at:

FOR CALIFORNIA RESIDENTS ONLY

⚠ California Proposition 65 Warning

WARNING: This product can expose you to chemicals including Carbon Monoxide, that is an externally vented by-product of fuel combustion, which is (are) known to the State of California to cause birth defects or other reproductive harm. For more information, visit www.P65Warnings.ca.gov.