



BERKSHIRE™ RADIANT MV CAST IRON GAS STOVE



Introducing the first model of Lopi's new moderately priced Standing Pilot Millivolt cast iron gas stoves, the mid-sized Berkshire™ Radiant MV!

The Berkshire™ Radiant MV is designed to provide comforting radiant heat plus Natural Convection, to deliver optimum warmth through-out your home.

Radiant heat is the cozy, satisfying warmth you can actually feel from any source of heat, such as sitting in front of a campfire or soaking up the rays of the sun. Natural Convection occurs as room air in the convection chamber is heated. This heated air rises, drawing cooler room air into the chamber, which in turn heats up and circulates around the firebox continuously.

With the Berkshire™ MV, you get MORE HEAT FOR LESS MONEY; that's more features and benefits than any other moderately priced mid-sized gas stove available, making it both a beautiful and economical way to heat your home!

FEATURES YOU'RE GOING TO LOVE

- Standing Pilot Millivolt system does not require power to operate, making this stove a reliable heat source, even during power outages!
- Elegant design with exquisite quality cast iron construction.
- The Dancing-Fyre™ burner and Classic Log Set are incredibly realistic and mimic an actual wood burning fire, right down to the flame pattern, highly detailed logs and glowing ember bed.
- This stove features a direct vent chimney system. All combustion air is drawn from outside your home, and all combustion byproducts are then vented out of your home through the coaxial chimney.
- Heavy duty steel (14 & 16 gauge) construction offers years and years of dependable heat.
- High-temperature ceramic glass.
- Easy to operate controls.

BERKSHIRE™ RADIANT MV CAST IRON GAS STOVE

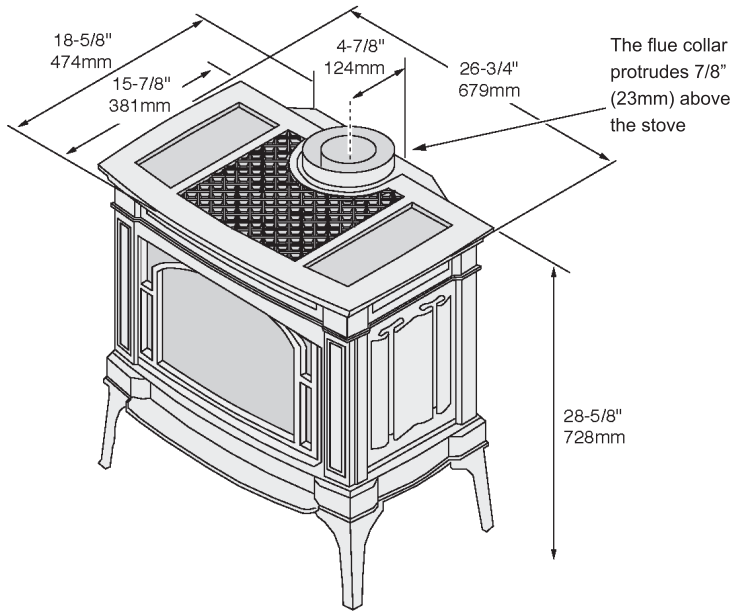
The information on this page is for reference ONLY! Installation information is available through your Lopi dealer or through the Lopi website at www.lopistoves.com.

SPECIFICATIONS:

- Maximum BTU Input per Hour 31,000 (NG & LP)
 - Minimum BTU Input per Hour 17,500 (NG & LP)
 - Heating Capacity* Up to 1,400 sq. ft.
 - Canadian P.4.1 Efficiency Up to 60.37% NG
Up to 61.77% LP
 - Steady State Efficiency (High) Up to 73.22% (NG)
Up to 74.44% (LP)
 - Weight 215 Lbs (97 Kg)
 - Glass Viewing Area 12" H x 18" W (199 sq. in.)
- *Heating Capacity can be affected by negative pressure in the home and by prevailing atmospheric conditions. Contact local building or fire officials about restrictions and installation requirements in your area.

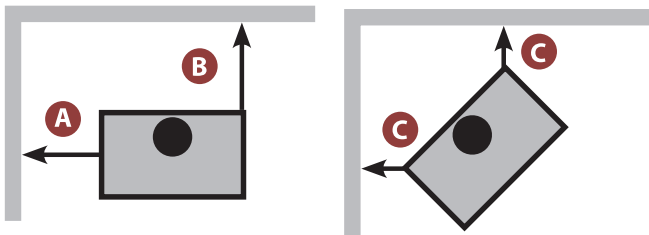
OPTIONS:

- 130 CFM convection fan designed to enhance the transfer of heated air throughout the room.
- Wall mounted GreenSmart® Basic 2 Remote operates ON/OFF power and thermostat.
- Wired Wall Timer with basic on/off function can be set in 30 minute increments up to two hours.



CLEARANCES TO COMBUSTIBLES

All measurements are to be taken from the stove top to combustible walls.

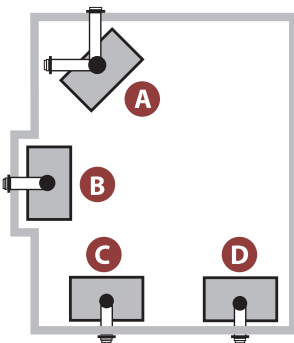


- A - Stove to Sidewall 10" (254mm)
- B - Stove to Backwall 5" (127mm)
- C - Stove to Corner 5" (127mm)

For straight wall installations the vent is centered 7-1/8" from backwall.
For corner installations the vent is centered 15-3/4" from the wall.

LOCATION OPTIONS WITH DIRECT VENT SYSTEM

Direct Venting System provides for horizontal or vertical venting through the outside wall or ceiling, allowing you to install your stove virtually anywhere in the room. Horizontal venting must rise at least 2' (NG) and 3' (LP) above stove top before elbowing.



You can install your stove in any of these configurations:

- A - Cross Corner
- B - Flat with Wall/Alcove
- C - Flat on Wall Corner
- D - Flat on Wall

Where would you like the stove to go in your home?

HEARTH PAD:

A non-combustible hearth pad is required when the stove is installed directly on carpeting, vinyl or combustible flooring other than wood.

No hearth pad is required if the stove is installed on non-combustible flooring (tile, stone, brick) or if installed on a wood or wood laminate floor.



www.lopistoves.com

Manufactured by
Travis Industries, Inc.
Mukilteo, WA

Your Authorized Lopi Dealer Is Located At: